

A

B

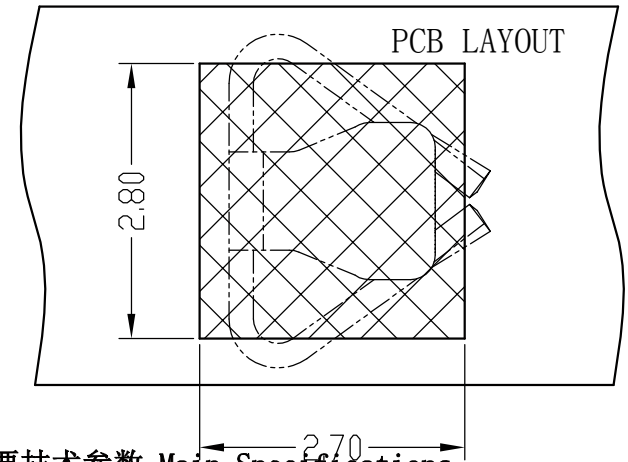
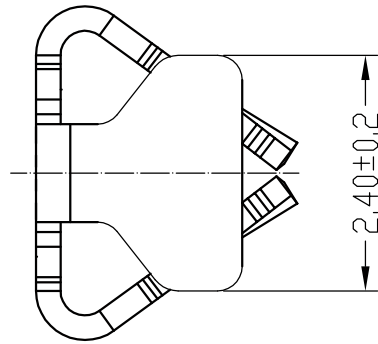
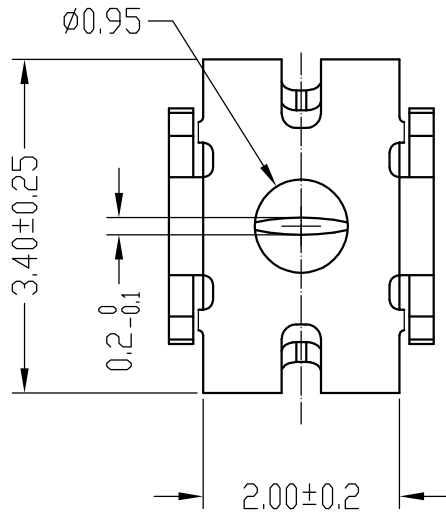
C

D

E

F

REV	ECN No.	DESCRIPTION	DESIGN	DATE
A1		Release	-	2018.11.07



主要技术参数 Main Specifications

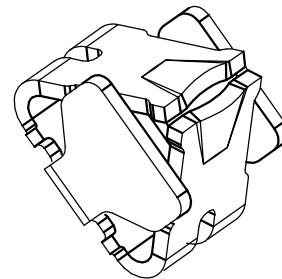
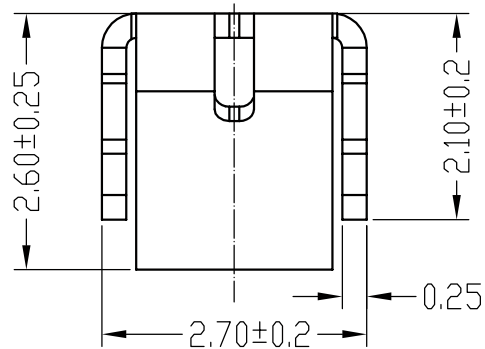
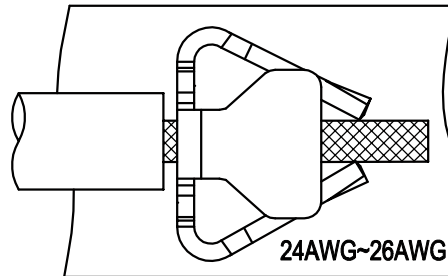
线 数 (Poles): 01

接触电阻 (Contact resistance): $\leq 30m\Omega$

额定电压 (Rated voltage): 275V AC DC

额定电流 (Rated current): 1.0A AC DC

温度范围 (Temperature Range): $-40^{\circ}C \sim +125^{\circ}C$



A	CONTACT	1 PCS	PhosphorBronze	MATTE Sn-plated
ITEM	COMPONENT	Q'TY	MATERIAL	FINISH
LEDsconn				TITLE:
X.±0.5	X.±5'	USE:	PART NO.:	
.X±0.3	.X±2'	APPD:	DWG NO.:	
.XX±0.25	.XX±1'	CHKD:	SCALE	
--	--	DR:	1 : 1	SHEET
	UNITS: mm	蒋建银	1 / 1	

A

B

C

D

E

F

1

2

3

4

5

1

2

3

4

5