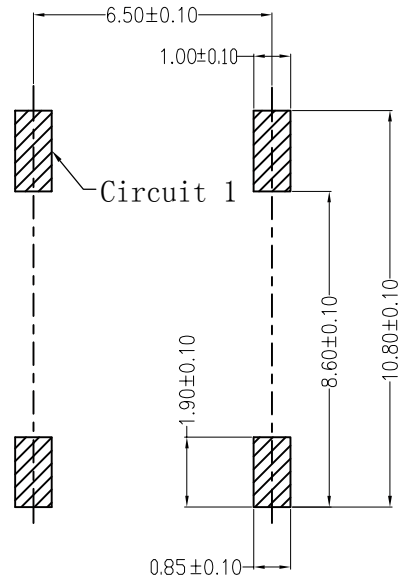
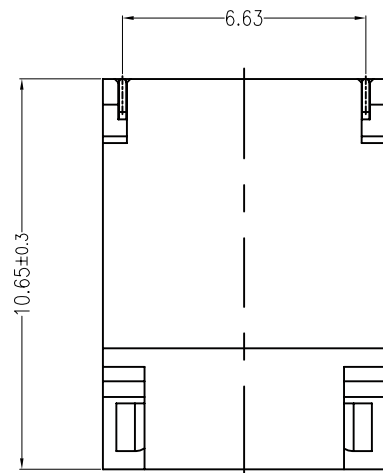
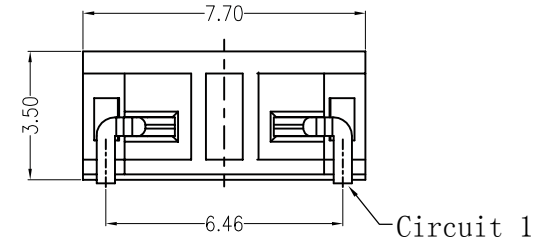


REV	DESCRIPTION	DESIGN	DATE
A0	Release	吴丹平	2016.11.11



Main Specifications
 Poles: 02
 Contact resistance: $\leq 20\text{m}\Omega$
 Insulation resistance: $\geq 1000\text{M}\Omega$
 Rated voltage: 1400VAC DC
 Rated current: 1.0A AC DC
 Withstand Voltage: 3800V AC/minute
 Temperature Range: -25°C --- +105°C



SUGGESTED PCB LAYOUT
(COMPONENT SIDE)

C	SOLDER TAB	2 PCS	PhosphorBronze	Sn-plated
B	CONTACT	2 PCS	PhosphorBronze	Sn-plated
A	PEDESTAL	1 PCS	LCP	UL 94V-0, COLOR:BEIGE
ITEM	COMPONENT	Q'TY	MATERIAL	FINISH
LEDsconn				TITLE: -- 3.5mmPITCH 90°WAFER SMT TYPE
X.±0.5	X.±5°	USE: CUSTOMER		PART NO.:
.X±0.3	.X±2°	APPD: 邵敬和		DWG NO.:
.XX±0.25	.XX±1°	CHKD: 田峰		
--	--	DR: 蒋建银		SCALE: 1 : 1
UNITS: mm				SHEET: 1 / 1