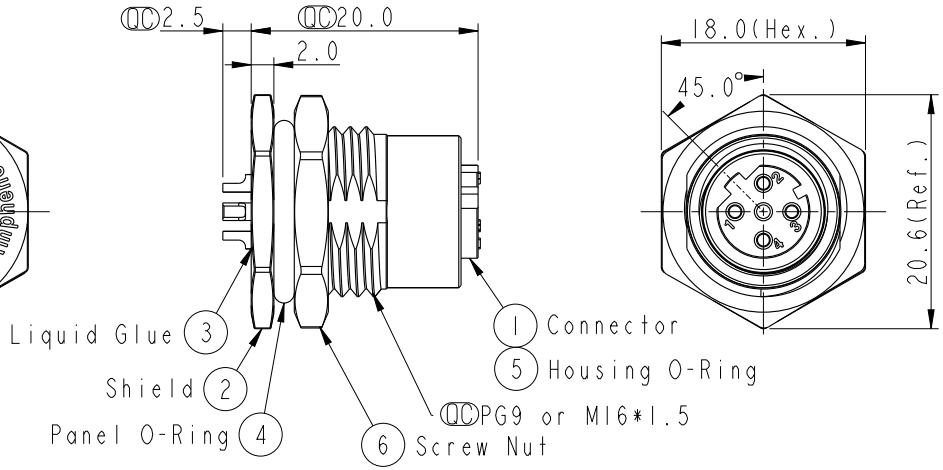
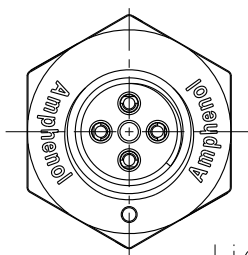
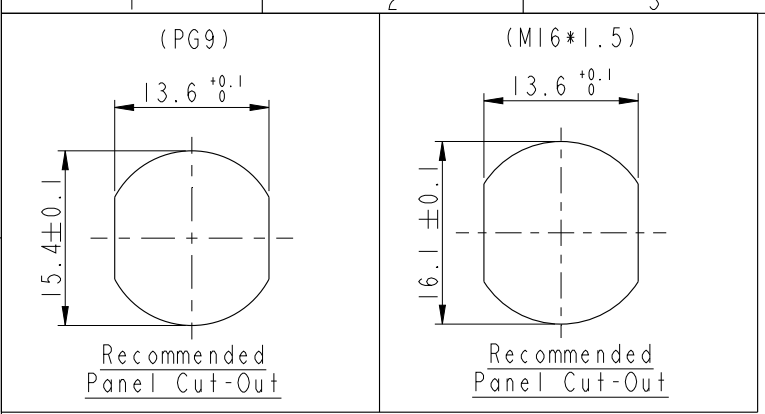


THIS DOCUMENT IS SUBJECT TO CHANGE WITHOUT NOTICE. IT IS CONFIDENTIAL AND A PROPERTY OF Amphenol LTW. DISCLOSURE TO THIRD PARTY HAS TO BE AUTHORIZED BY Amphenol LTW.

REV.	ECN NO.	DATE	SIGN	DESCRIPTION
B	LEN1580013-014	2015/07/24	Yulong_wang	Change to Share Drawing.
C	LEN1690141~142	2016/08/25	Yulong_wang	Add 3, 5 Pin & IP69K.



M I2D - XX P F F S - S F 8 XXX

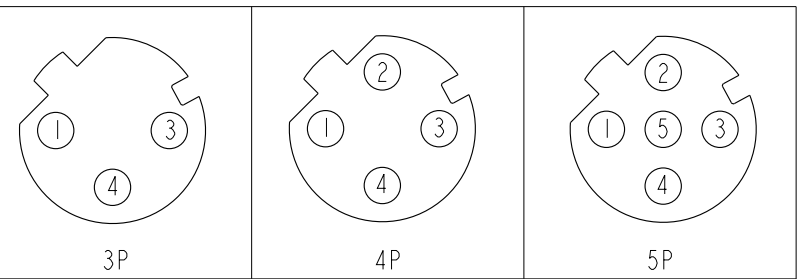
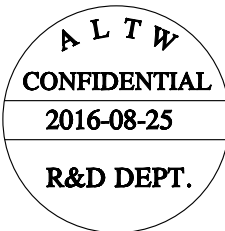
I2D: D-Code
 03: 3Pin
 04: 4Pin
 05: 5Pin

P: Panel (板端)
 F: Female Connector (母座)
 F: Female Pin (母Pin)

001: PG9
 002: M16*1.5
 8: IP68/69K (防水等級68/69K)

F: Front Fasten (前鎖式/Enclosure Rear Mount)
 S: Screw (螺紋式)
 S: Solder Type (焊接式)

- Note:
- * \varnothing Important Dimension.
 - * Waterproof Rate: IP68, IP69K
 - * Housing: Nylon+GF, Black.
 - * Female Pin: Copper Alloy, Gold Plated.
 - * Shield: Zinc Alloy, Nickel Plated.
 - * Screw Nut: Zinc Alloy, Nickel Plated.
 - * Panel O-Ring: Viton, Black.
 - * Housing O-Ring: Viton, Green.
 - * Rated Voltage: 3 & 4Pin 250V dc. or ac.
5Pin 60V dc. or ac.
 - * Rated Current: 4A
 - * Operating Temperature: -40~+105°C
 - * For Panel Thickness Max 4.5mm.
 - * Recommended Nut Torque: 4-6 Kgf.cm.



Pin Assignment Front View

UNIT: mm		TITLE	M12 D-Code Female Conn. Solder Front Type		
TOLERANCE		SCALE	SIZE	SHEET	OF
.X ±0.25		2:1	A4	1	1
.XX ±0.1		REV.	WC-REV.	\varnothing : Inspection item	
.XXX ±0.05		C	A.5		
ANGLES ±1°					

Amphenol LTW
 安費諾亮泰企業股份有限公司

ITEM NO	DRAWN BY	DATE
	Yulong_wang	2016-08-25
DWG NO	CHECKED BY	DATE
M12D-XXPFFS-SF8XXX	Jinhai	2016-08-25
CUSTOMER	APPROVED BY	DATE
ALTW	Jerry	2016-08-25