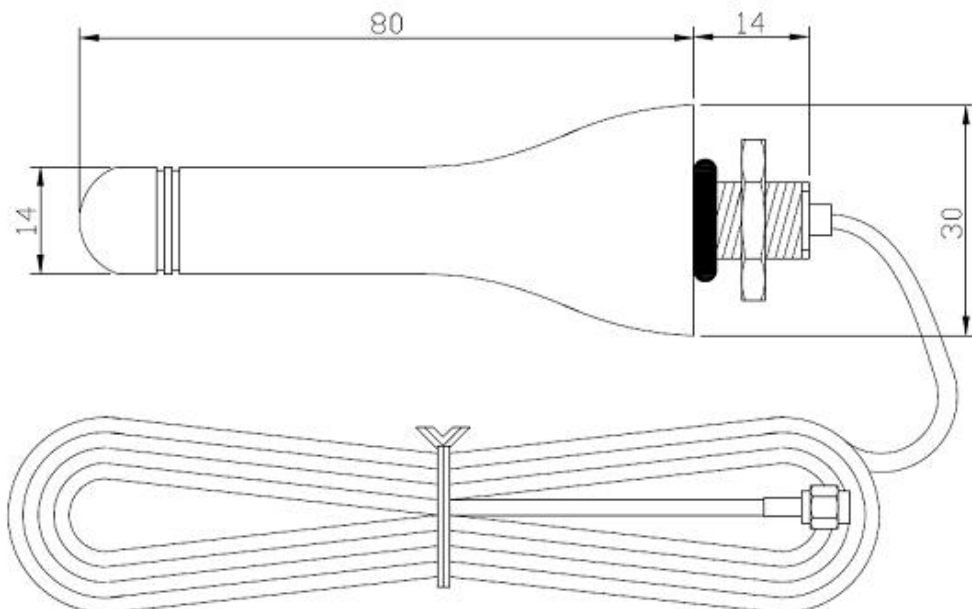


SPECIFICATION

1、 PRODUCT PICTURE



2、SPECIFICATIONS

Item	Specifications	
Model Number	RF-ANT67-868-S	
Antenna	Frequency Range	868MHz
	Polarization	Linear
	Gain	3dBi (Zenith)
	V.S.W.R (min)	<2.0
	Impedance	50 Ω
	Size(mm)	14*80*30mm
	Connector	SMA-Male
	Weight(g)	45
Environmental	Operating Temperature	-40°C~+85°C
	Vibration	10 to 55Hz with 1.5mm amplitude 2hours

3. STATIONARY WAVE PATTERN (V.S.W.R)

