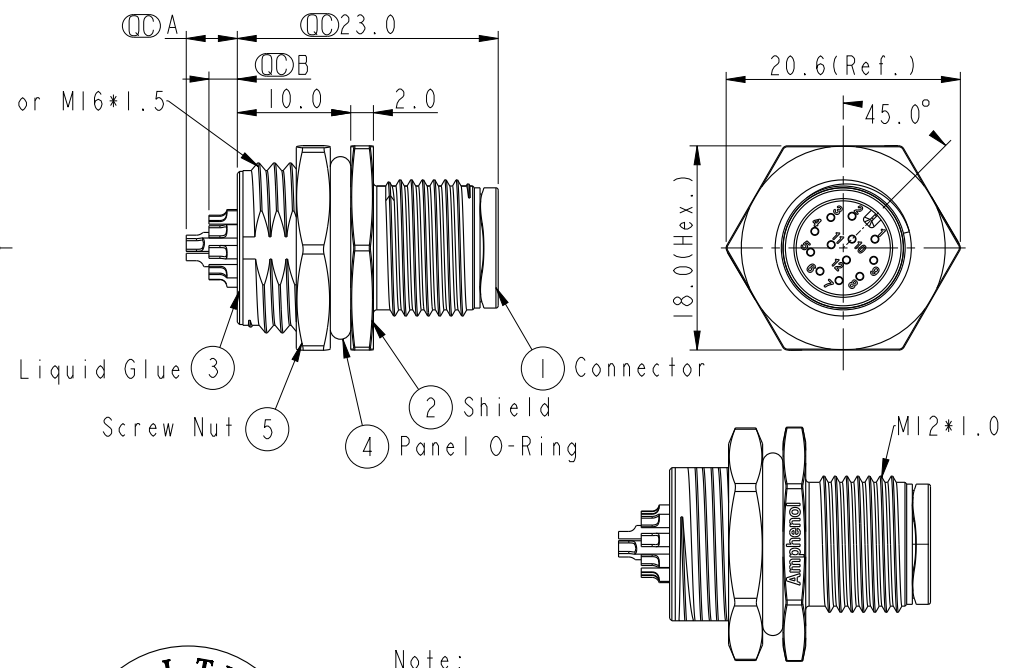
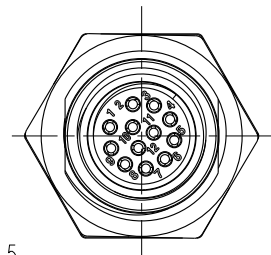
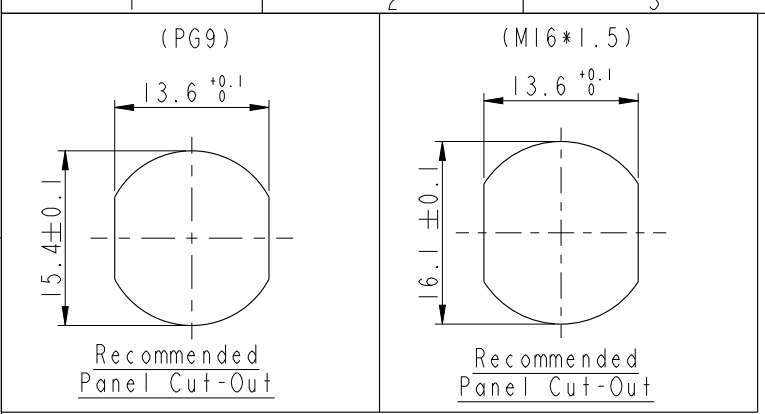


THIS DOCUMENT IS SUBJECT TO CHANGE WITHOUT NOTICE. IT IS CONFIDENTIAL AND A PROPERTY OF Amphenol LTW. DISCLOSURE TO THIRD PARTY HAS TO BE AUTHORIZED BY Amphenol LTW.

REV.	ECN NO.	DATE	SIGN	DESCRIPTION
B	LENI570187-194 LE31570179-182	2015/07/18	Yulong_wang	Change to Share Drawing.
C	LENI680378-389	2016/08/06	Yulong_wang	Add 6 PIN & IP69K



M I2A - XX P M M S - S H 8 XXX

I2A: A-Code

03: 3Pin  
04: 4Pin  
05: 5Pin  
06: 6Pin  
08: 8Pin  
10: 10Pin  
12: 12Pin

P: Panel (板端)

M: Male Connector (公座)

001: PG9  
002: M16\*1.5

8: IP68/69K (防水等級68/69K)

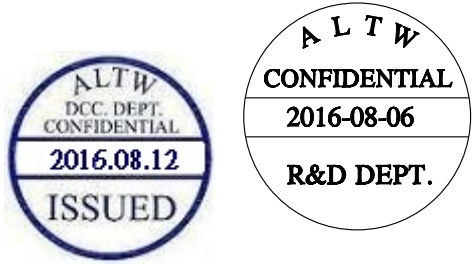
H: Rear Fasten (后鎖式/Enclosure Front Mount)

S: Screw (螺紋式)

S: Solder Type (焊接式)

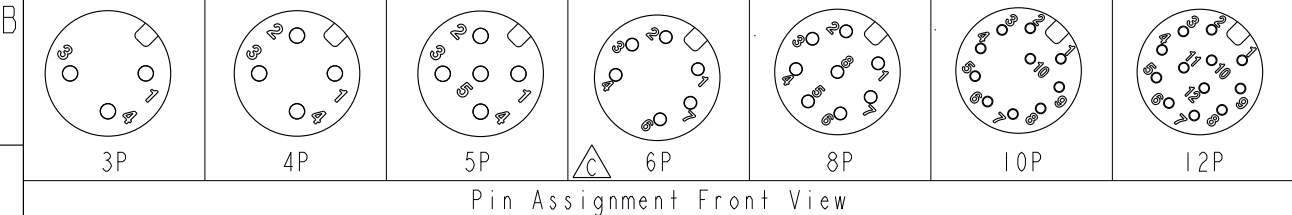
M: Male Pin (公Pin)

M12A-03PMMS-SH8XXX	2.5	
M12A-04PMMS-SH8XXX	2.5	
M12A-05PMMS-SH8XXX	2.5	
M12A-06PMMS-SH8XXX	2.5	
M12A-08PMMS-SH8XXX	2.5	
M12A-10PMMS-SH8XXX	4.5	2.5
M12A-12PMMS-SH8XXX	4.5	2.5
Item No.	A	B
	Pin伸出長度	



Note:

- \* Important Dimension.
- \* Waterproof Rate: IP68, IP69K
- \* Housing: Nylon+GF, Black.
- \* Male Pin: Copper Alloy, Gold Plated.
- \* Shield: Zinc Alloy, Nickel Plated.
- \* Screw Nut: Zinc Alloy, Nickel Plated.
- \* Panel O-Ring: Viton, Black.
- \* Rated Voltage: 3 & 4Pin 250V dc. or ac.  
5Pin 60V dc. or ac.  
6~12Pin 30V dc. or ac.
- \* Rated Current: 3~5Pin 4A  
6~8Pin 2A  
10~12Pin 1.5A
- \* Operating Temperature: -40~105°C
- \* For Panel Thickness Max 4.5mm.
- \* Recommended Nut Torque: 4-6 Kgf.cm.



UNIT: mm		TITLE M12 A-Code Male Conn. Solder Rear Type
TOLERANCE .X ±0.25 .XX ±0.1 .XXX ±0.05 ANGLES ±1°	SCALE 2:1	SIZE A4
	REV. C	SHEET 1 OF 1
	WC-REV. A.7	QC: Inspection item

**Amphenol LTW**  
安費諾亮泰企業股份有限公司

ITEM NO.	DRAWN BY Yulong_wang	DATE 2016-08-06
DWG NO. M12A-XXPMMS-SH8XXX	CHECKED BY Jinhai	DATE 2016-08-06
CUSTOMER ALTW	APPROVED BY Jerry	DATE 2016-08-06

A B C D E F