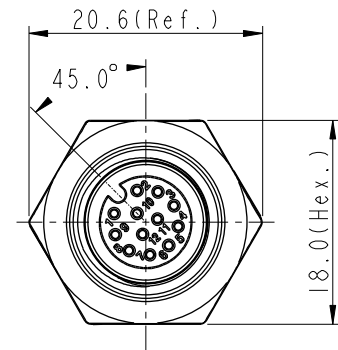
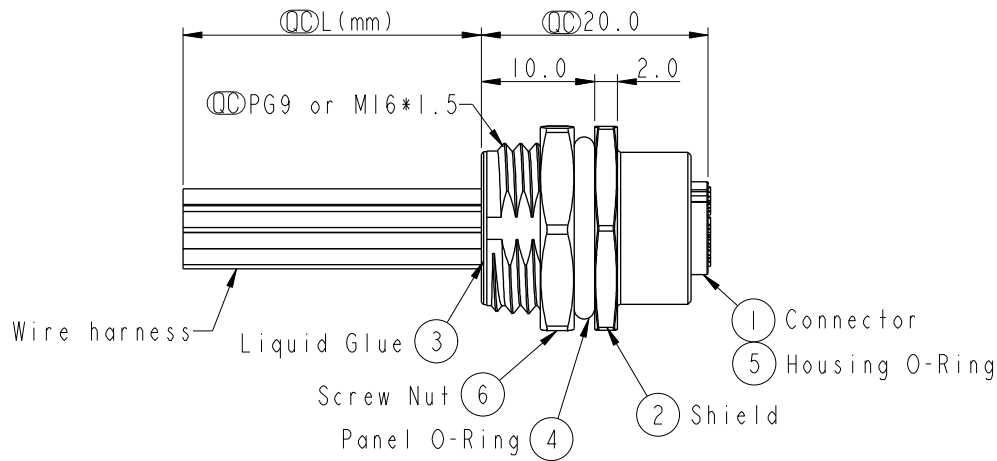
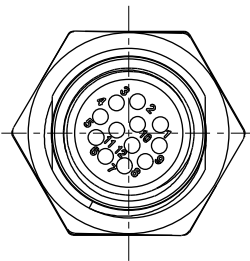


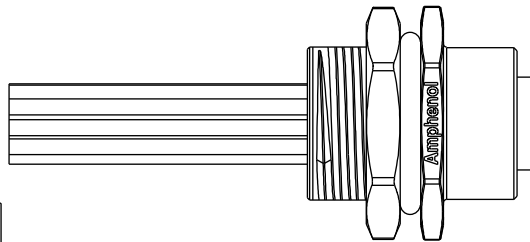
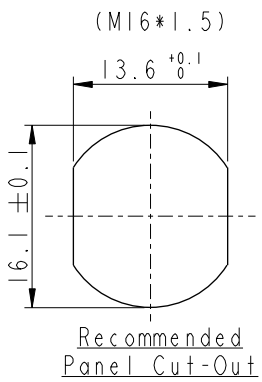
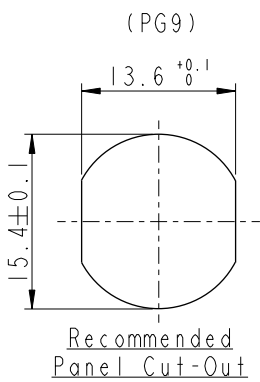
REV.	ECN NO.	DATE	SIGN	DESCRIPTION
B	LE31570242~251	2015/07/23	Yulong_wang	Change to Share Drawing.
C	LENI680557~568	2016/08/08	Yulong_wang	Add 6Pin & IP69K.
D	EI91630	2019/09/19	Ruru	Update Wire Tolerance



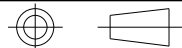
ALTW
CONFIDENTIAL
2019-09-19
R&D DEPT.

Notes:

- * \varnothing Important Dimension.
- * Waterproof Rate: IP68, IP69K.
- * Connector: Nylon+GF, Black.
- * Female Pin: Copper Alloy, Gold Plated.
- * Shield: Zinc Alloy, Nickel Plated.
- * Screw Nut: Zinc Alloy, Nickel Plated.
- * Panel O-Ring: Viton, Black.
- * Housing O-Ring: Viton, Green.
- * Wire harness: UL1061
- * Rated Voltage: 3 & 4Pin 250V dc. or ac.
5Pin 60V dc. or ac.
6~12Pin 30V dc. or ac.
- * Rated Current: 3~5Pin 4A
6~8Pin 2A
10~12Pin 1.5A
- * Operating Temperature: -25~85°C
- * For Panel Thickness Max 4.5mm.
- * Nut Torque: 4-6 Kgf.cm.
- * Wire harness Tolerance: 150~300±15mm
301~1000±20mm
Over 1000 ±50/-0mm



UNIT: mm



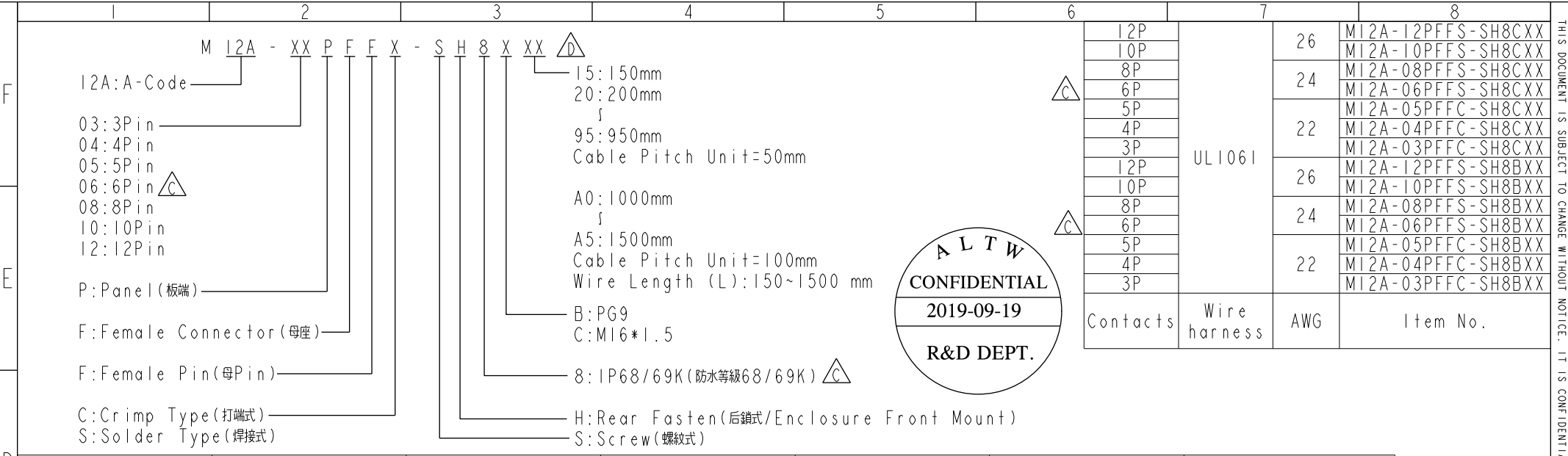
TITLE M12 A-Code Female Conn. Panel Rear With Wire harness			
SCALE 3:2	SIZE A4	SHEET 1 OF 2	
REV. D	WC-REV. A.3	\varnothing : Inspection item	

Amphenol LTW
安費諾亮泰企業股份有限公司

ITEM NO	DRAWN BY Ruru	DATE 2019-09-19
DWG NO M12A-XXPFFX-SH8XXX	CHECKED BY Rita	DATE 2019-09-19
CUSTOMER ALTW	APPROVED BY Max	DATE 2019-09-19

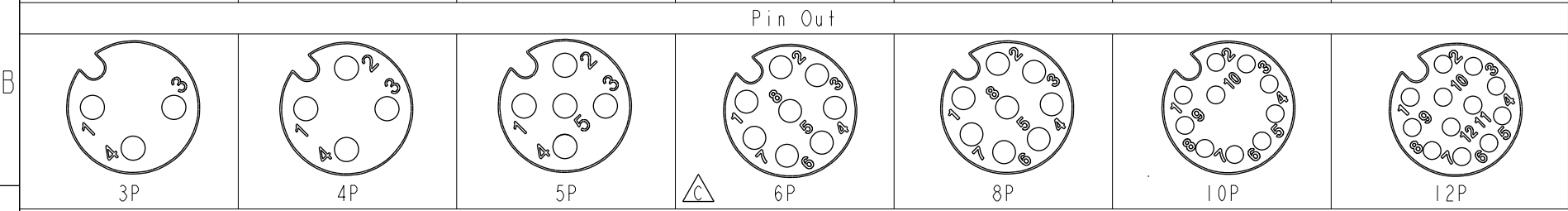
THIS DOCUMENT IS SUBJECT TO CHANGE WITHOUT NOTICE. IT IS CONFIDENTIAL AND A PROPERTY OF Amphenol LTW. DISCLOSURE TO THIRD PARTY HAS TO BE AUTHORIZED BY Amphenol LTW.

THIS DOCUMENT IS SUBJECT TO CHANGE WITHOUT NOTICE. IT IS CONFIDENTIAL AND A PROPERTY OF Amphenol LTW. DISCLOSURE TO THIRD PARTY HAS TO BE AUTHORIZED BY Amphenol LTW.



12P	UL1061	26	M12A-12PFFS-SH8CXX
10P			M12A-10PFFS-SH8CXX
8P		24	M12A-08PFFS-SH8CXX
6P			M12A-06PFFS-SH8CXX
5P		22	M12A-05PFFC-SH8CXX
4P			M12A-04PFFC-SH8CXX
3P			M12A-03PFFC-SH8CXX
12P		26	M12A-12PFFS-SH8BXX
10P			M12A-10PFFS-SH8BXX
8P		24	M12A-08PFFS-SH8BXX
6P			M12A-06PFFS-SH8BXX
5P		22	M12A-05PFFC-SH8BXX
4P	M12A-04PFFC-SH8BXX		
3P	M12A-03PFFC-SH8BXX		
Contacts	Wire harness	AWG	Item No.

5	--	5	--	5	Gray	灰	5	Gray	灰	5	Gray	灰	5	Gray	灰	5	Gray	灰	5	Gray	灰	5	Gray	灰		
4	Black	黑	4	Black	黑	4	Black	黑	4	Black	黑	4	Black	黑	4	Black	黑	4	Black	黑	4	Black	黑	4	Black	黑
3	Blue	藍	3	Blue	藍	3	Blue	藍	3	Blue	藍	3	Blue	藍	3	Blue	藍	3	Blue	藍	3	Blue	藍	3	Blue	藍
2	--		2	White	白	2	White	白	2	White	白	2	White	白	2	White	白	2	White	白	2	White	白	2	White	白
1	Brown	棕	1	Brown	棕	1	Brown	棕	1	Brown	棕	1	Brown	棕	1	Brown	棕	1	Brown	棕	1	Brown	棕	1	Brown	棕
Pin #	Wire		Pin #	Wire		Pin #	Wire		Pin #	Wire		Pin #	Wire		Pin #	Wire		Pin #	Wire		Pin #	Wire		Pin #	Wire	



Pin Assignments Front View

UNIT: mm		TITLE M12 A-Code Female Conn. Panel Rear With Wire harness			Amphenol LTW 安費諾亮泰企業股份有限公司	ITEM NO	DRAWN BY	DATE
		SCALE 3:2	SIZE A4	SHEET 2 OF 2		DWG NO M12A-XXPFFX-SH8XXX	CHECKED BY Rita	DATE 2019-09-19
TOLERANCE .X ±0.25 .XX ±0.1 .XXX ±0.05 ANGLES ±1°		REV. D	WC-REV. A.3	QC: Inspection item	CUSTOMER ALTW	APPROVED BY Max	DATE 2019-09-19	