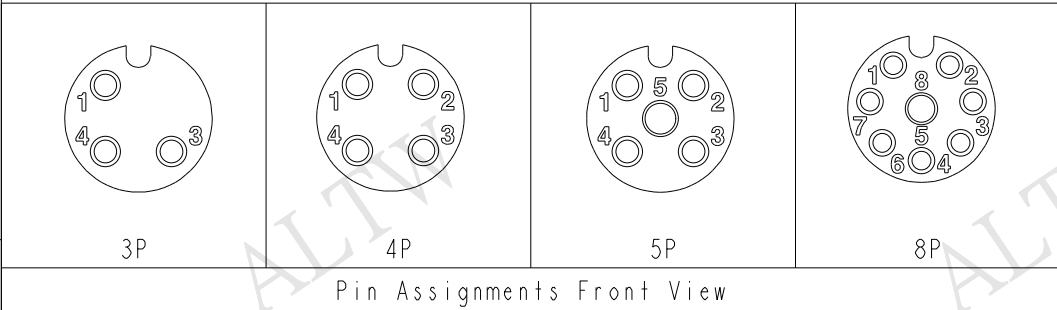
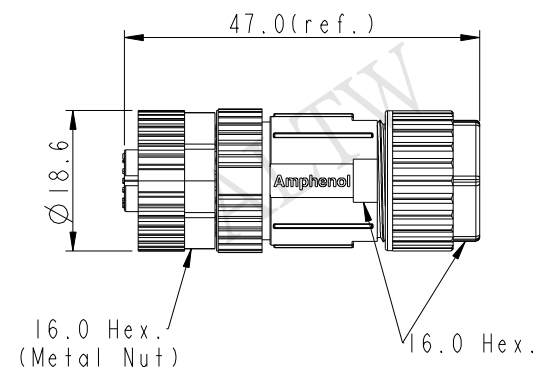
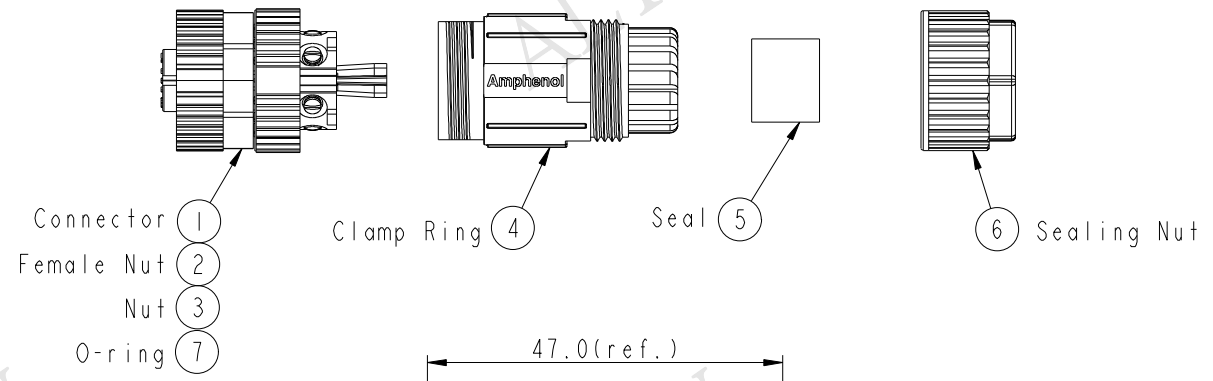


THIS DOCUMENT IS SUBJECT TO CHANGE WITHOUT NOTICE. IT IS CONFIDENTIAL AND A PROPERTY OF Amphenol LTW. DISCLOSURE TO THIRD PARTY HAS TO BE AUTHORIZED BY Amphenol LTW.

REV.	ECN NO.	DATE	SIGN	DESCRIPTION

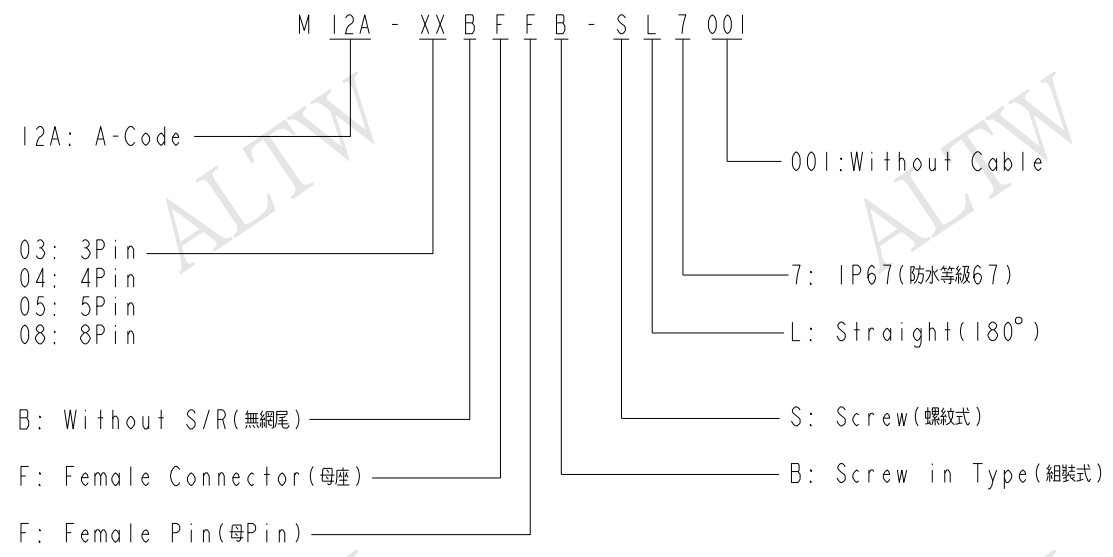
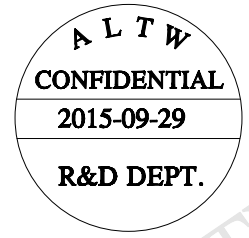
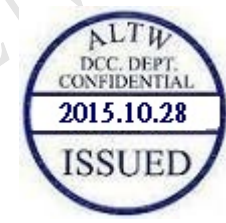
ALTW
 CONFIDENTIAL
 2015-09-29
 R&D DEPT.

ALTW
 DCC. DEPT.
 CONFIDENTIAL
 2015.10.28
 ISSUED



UNIT: mm TOLERANCE $\pm 0.5\text{mm}$			Amphenol LTW 安費諾亮泰企業股份有限公司		ITEM NO	DRAWN BY	DATE
	TITLE M12 A-code Assy F Conn. F Pin		SCALE 1:1		DWG NO	CHECKED BY	DATE
	SIZE A4		SHEET 1 OF 2		CUSTOMER	APPROVED BY	DATE
REV. A WC-REV. A.3 QC: Inspection item			ALTW		Mila Cary Jerry		2015-09-29 2015-09-29 2015-09-29

THIS DOCUMENT IS SUBJECT TO CHANGE WITHOUT NOTICE. IT IS CONFIDENTIAL AND A PROPERTY OF AMPHENOL LTW. DISCLOSURE TO THIRD PARTY HAS TO BE AUTHORIZED BY AMPHENOL LTW.



- Note:
- * (C) Important Dimension To Check.
 - * Waterproof Rate: IP67
 - * Housing: Nylon, Black
 - * Clamp Cage: Nylon, Black
 - * Female Pin: Copper Alloy, Gold Plated
 - * Female Nut: Zinc Alloy, Nickel Plated
 - * Nut: Zinc Alloy, Nickel Plated
 - * O-Ring: Silicon, Grey
 - * Clamp Ring: Nylon, Black
 - * Sealing Nut: PBT+PC, Black
 - * Seal: Silicon, Grey
 - * Seal For Cable OD: $\phi 4.0\text{mm} \sim \phi 8.0\text{mm}$
 - * Screws for Wire connection recommended tightening torque: 0.61~0.84 kgf.cm / 0.059~0.082 N.m
 - * Applicable Wire gauge (Stranded wire cross section) 0.14mm² (26AWG) ~ 0.82mm² (18AWG)
 - * Mating Recommended tightening torque: 3~4 kgf.cm / 0.29~0.39 N.m
 - * Sealing-Nut Recommended tightening torque: 4~6 kgf.cm / 0.39~0.59 N.m
 - * Detailed applicable wire specifications may vary depending on the actual wire construction.

A	UNIT: mm			TITLE M12 A-code Assy F Conn. F Pin		ITEM NO		DRAWN BY Mila	DATE 2015-09-29
	TOLERANCE $\pm 0.5\text{mm}$		SCALE 1:1	SIZE A4	SHEET 2 OF 2	DWG NO M12A-XXBFFB-SL7001		CHECKED BY Cary	DATE 2015-09-29
			REV. A	WC-REV. A.3	QC: Inspection item		CUSTOMER ALTW		APPROVED BY Jerry
Amphenol LTW 安費諾亮泰企業股份有限公司									
8 FMM10702-01-02A1									