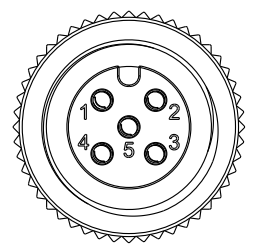
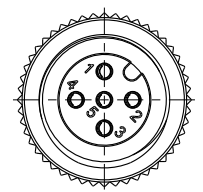


THIS DOCUMENT IS SUBJECT TO CHANGE WITHOUT NOTICE. IT IS CONFIDENTIAL AND A PROPERTY OF AMPHENOL LTW. DISCLOSURE TO THIRD PARTY HAS TO BE AUTHORIZED BY AMPHENOL LTW.

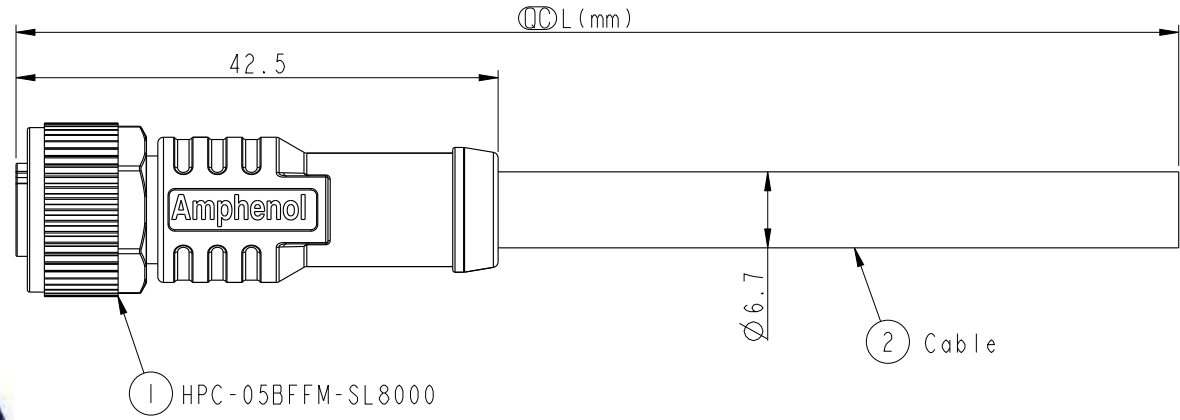
REV.	ECN NO.	DATE	SIGN	DESCRIPTION
A	Initial Release	2017-03-16	Frank Deng	Change Rev.01 To Rev.A
B	LEN1770176	2017-07-03	Frank Deng	Change Note



Conn.  
Pin Assignments  
Front View

Conn.	Wire Color	Pin Out
5	Blue 藍	24#
4	White 白	24#
3	Black 黑	22#
2	Red 紅	22#
1	Drain 地線	22#

Twist  
Twist



HPC-05BFFM-SL8AXX

XX: 01~99Meters  
 01: 01Meter  
 02: 02Meters  
 ...  
 99: 99Meters  
 Cable Length(L): 01~99Meters

- Note:**
- \*  $\varnothing$  Important Dimension To Check.
  - \* Waterproof Rate: IP68  
 In 1 meter water within 24 hours
  - \* Connector: PU, Black
  - \* Nut: Nylon, Black
  - \* F Pin: Copper Alloy, Gold Plated 30u"
  - \* Outer Mold: PU, Blue
  - \* Cable: CL2, (24#\*IP+A/M)+(22#\*IP+A/M)+  
 D+B,PVC UV Cable, OD=6.7mm, Black
  - \* Cable Length Tolerance: 01M:±40mm  
 02M~05M:±60mm  
 06M~10M:±100mm  
 11M~30M:±200mm  
 31M~99M:±500mm

UNIT:mm   
 TOLERANCE  
 ±0.5mm

TITLE			
NMEA 2000 SINGLE ENDED CABLE MICRO-C, F CONN F PIN, PLASTIC			
SCALE	SIZE	SHEET OF	
Free	A4	1 OF 1	
REV.	WC-REV.	$\varnothing$ : Inspection item	
B	A.1		

**Amphenol LTW**  
 安費諾亮泰企業股份有限公司

ITEM NO	DRAWN BY	DATE
	Frank Deng	2017-07-06
DWG NO	CHECKED BY	DATE
HPC-05BFFM-SL8AXX	Fisher Wang	2017-07-06
CUSTOMER	APPROVED BY	DATE
ALTW	Kevin Hu	2017-07-06