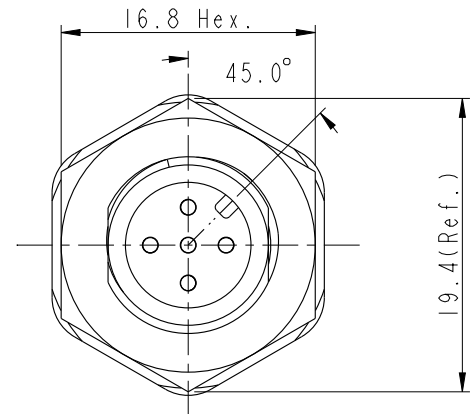
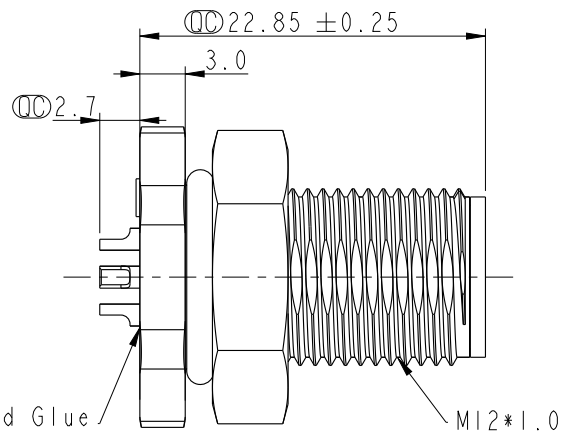
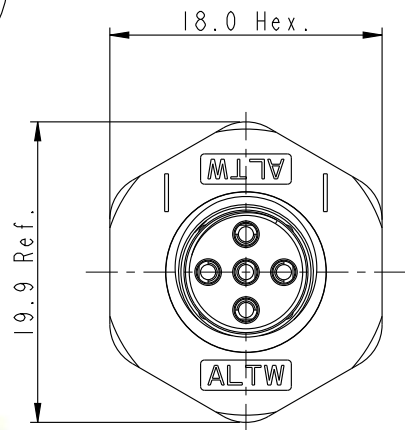
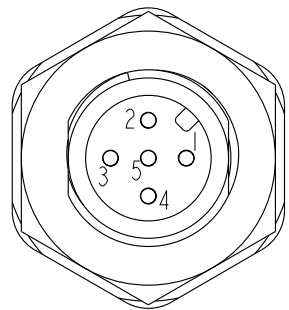


REV.	ECN NO.	DATE	SIGN	DESCRIPTION
A	Initial Release	2017-03-31	Frank Deng	Change Rev.01 To Rev.A
B	LE31770169	2017-07-03	Frank Deng	Change Note

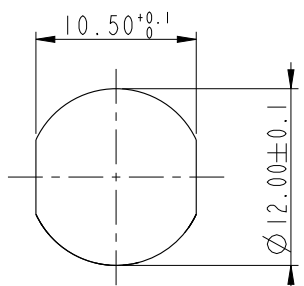
**ALTW**  
**CONFIDENTIAL**  
 2017-07-06  
 R&D DEPT.



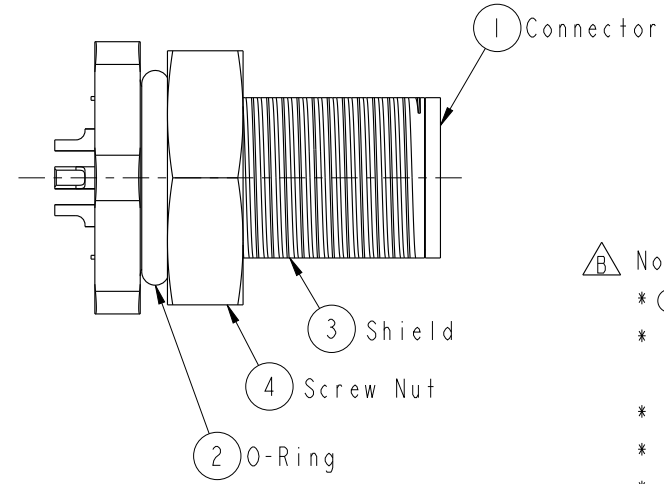
**ALTW**  
 DCC. DEPT.  
 CONFIDENTIAL  
 2017.07.25  
 ISSUED



Conn.  
 Pin Assignments  
 Front View



Recommended  
 Panel Cut-Out



- Notes:**
- \*  $\varnothing$  Important Dimension To Check.
  - \* Waterproof Rate: IP68  
 IP68: 1M Depth Of Water In 24hours.
  - \* Connector: Nylon+GF, Black.
  - \* Male Pin: Copper Alloy, Gold Plated.
  - \* O-ring: Silicon, Gray .
  - \* Shield: Nylon+GF, Black.
  - \* Screw Nut: Nylon+GF, Black.
  - \* For Panel Thickness Max. 4.9mm

UNIT: mm		
TOLERANCE	.X	±0.25
	.XX	±0.1
	.XXX	±0.05
	ANGLES	±1°

TITLE NMEA2000 MICRO-C, PANEL, SOLDER 5PIN MCONN MPIN, PLASTIC			
SCALE	2:1	SIZE	A4
REV.	B	WC-REV.	A.6
SHEET 1 OF 1			
⊙: Inspection item			

**Amphenol LTW**  
 安費諾亮泰企業股份有限公司

ITEM NO	HPC-05PMMS-SF8001	DRAWN BY	Frank Deng	DATE	2017-07-06
DWG NO	HPC-05PMMS-SF8001	CHECKED BY	Fisher Wang	DATE	2017-07-06
CUSTOMER	ALTW	APPROVED BY	Kevin Hu	DATE	2017-07-06

THIS DOCUMENT IS SUBJECT TO CHANGE WITHOUT NOTICE. IT IS CONFIDENTIAL AND A PROPERTY OF Amphenol LTW. DISCLOSURE TO THIRD PARTY HAS TO BE AUTHORIZED BY Amphenol LTW.