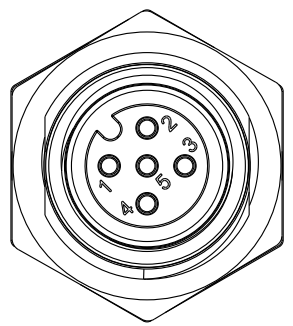
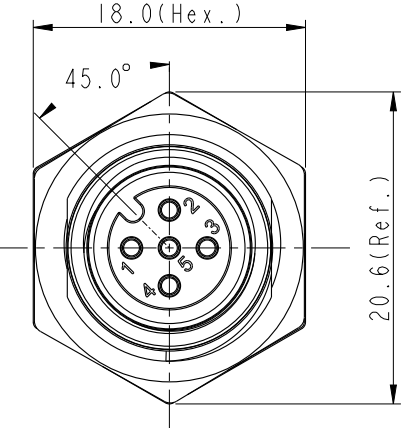
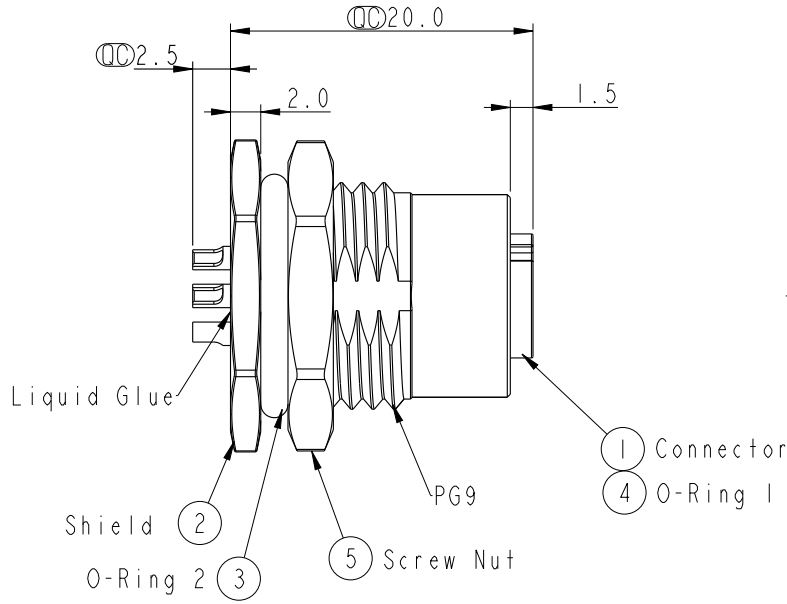
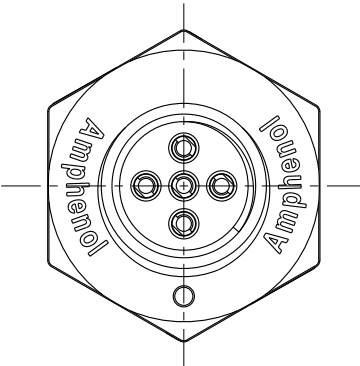
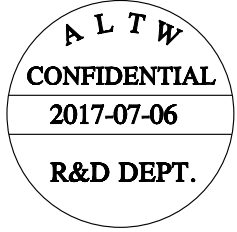
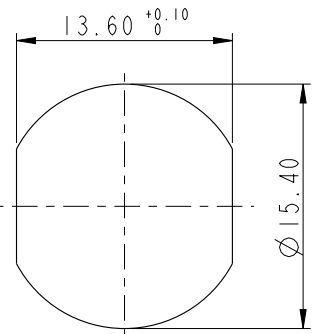


REV.	ECN NO.	DATE	SIGN	DESCRIPTION
A	Initial Release	2017-03-31	Frank Deng	Change Rev.01 To Rev.A
B	LEN1770184	2017-07-03	Frank Deng	Change Note



Pin Assignments
Front View



Recommended
Panel Cut-Out

- Note:**
- * \varnothing Important Dimension.
 - * Waterproof Rate: IP68.
 - * IP68: 1M Depth Of Water In 24hours.
 - * Housing: Nylon+GF, UL94V-0, fl, Black.
 - * Female Pin: Copper Alloy, Gold Plated.
 - * Shield: Zinc Alloy, Nickel Plated.
 - * O-Ring1: Silicone, Gray.
 - * O-Ring2: Silicone, Gray.
 - * Panel Nut: Zinc Alloy, Nickel Plated.
 - * For Panel Thickness Max 4.5mm.
 - * Nut Torque: 4-6 Kgf.cm.

UNIT: mm		TITLE NMEA2000, MICRO-C, PANEL, SOLDER 5PIN, F CONN F PIN, METAL			<h1>Amphenol LTW</h1> 安費諾亮泰企業股份有限公司	ITEM NO	HMC-05PFFS-SF8001	DRAWN BY	Frank Deng	DATE	2017-07-06
		TOLERANCE	.X ±0.25	.XX ±0.1		.XXX ±0.05	ANGLES ±1°	DWG NO	HMC-05PFFS-SF8001	CHECKED BY	Fisher Wang
SCALE	2:1	SIZE	A4	SHEET	1 OF 1	CUSTOMER	ALTW	APPROVED BY	Kevin Hu	DATE	2017-07-06
REV.	B	WC-REV.	A.2	\varnothing : Inspection item							

THIS DOCUMENT IS SUBJECT TO CHANGE WITHOUT NOTICE. IT IS CONFIDENTIAL AND A PROPERTY OF Amphenol LTW. DISCLOSURE TO THIRD PARTY HAS TO BE AUTHORIZED BY Amphenol LTW.