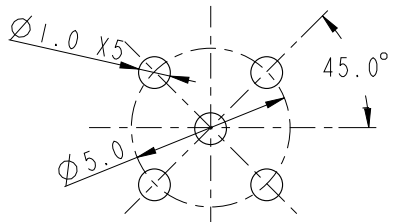
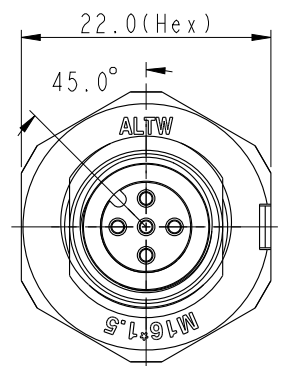
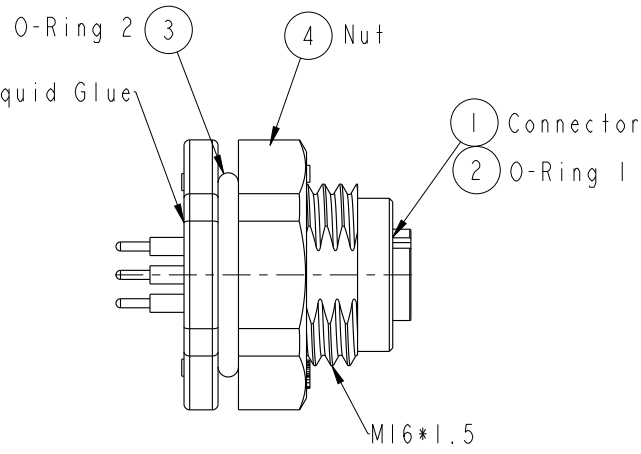
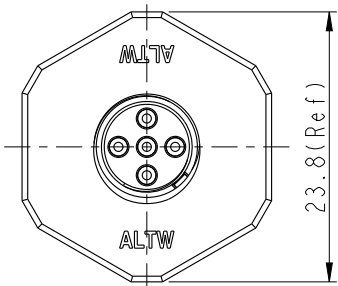
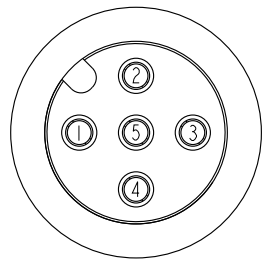


REV.	ECN NO.	DATE	SIGN	DESCRIPTION
A	Initial Release	2017-03-23	Frank Deng	Change Rev.01 To Rev.A
B	LEN1770182	2017-07-03	Frank Deng	Change Note

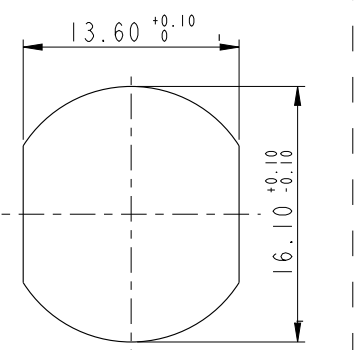
ALTW
CONFIDENTIAL
 2017-07-06
R&D DEPT.



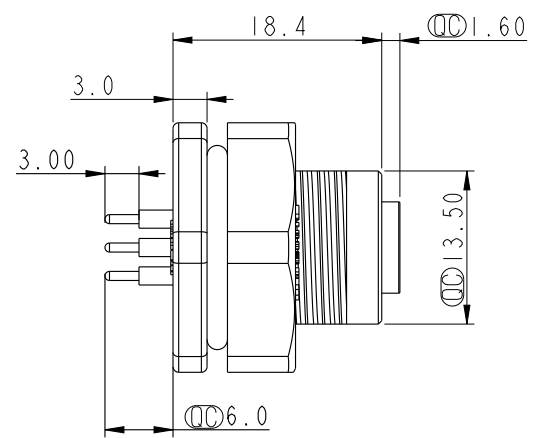
PCB Layout



Pin Assignment
Front View



Recommended Panel Cut-Out



ALTW
 DCC. DEPT.
CONFIDENTIAL
 2017.07.25
ISSUED



- Note:
- * \varnothing Important Dimension To Check.
 - * Waterproof Rate: IP68(in 1M Water 24hrs)
 - * Connector: Nylon+GF, 94V-0, Black
 - * Female Pin: Copper Alloy, Gold Plated
 - * Shield: Nylon+GF, 94V-0, Black
 - * Nut: Nylon+GF, 94V-0, Black
 - * O-Ring 1: Silicone, Gray
 - * O-Ring 2: Silicone, Gray
 - * For Panel Thickness Max 4.9mm

UNIT: mm		
TOLERANCE:		
.X	±0.25	
.XX	±0.1	
.XXX	±0.05	
ANGLES	±1°	

TITLE NMEA2000 Micro-C Female Conn. PCB Type, Plastic Nut		
SCALE 3:2	SIZE A4	SHEET 1 OF 1
REV. B	WC-REV. A.4	\varnothing : Inspection item

Amphenol LTW
 安費諾亮泰企業股份有限公司

ITEM NO. HPC-05PFFP-SF8001	DRAWN BY Frank Deng	DATE 2017-07-06
DWG NO. HPC-05PFFP-SF8001	CHECKED BY Fisher Wang	DATE 2017-07-06
CUSTOMER ALTW	APPROVED BY Kevin Hu	DATE 2017-07-06

THIS DOCUMENT IS SUBJECT TO CHANGE WITHOUT NOTICE. IT IS CONFIDENTIAL AND A PROPERTY OF AMPHENOL LTW. DISCLOSURE TO THIRD PARTY HAS TO BE AUTHORIZED BY AMPHENOL LTW.