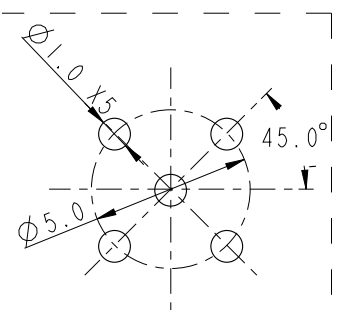
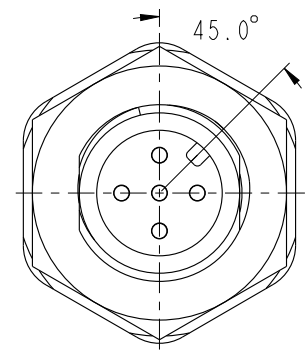
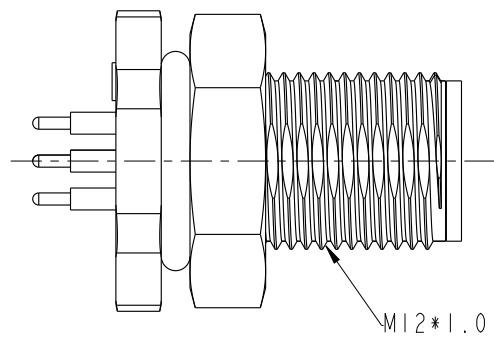
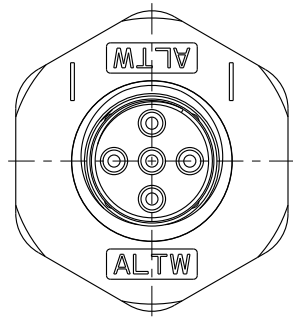
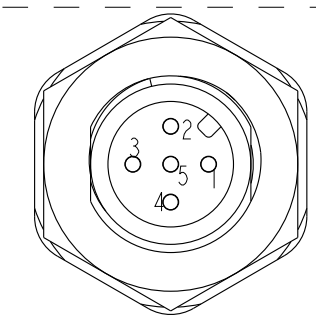


THIS DOCUMENT IS SUBJECT TO CHANGE WITHOUT NOTICE. IT IS CONFIDENTIAL AND A PROPERTY OF AMPHENOL LTW. DISCLOSURE TO THIRD PARTY HAS TO BE AUTHORIZED BY AMPHENOL LTW.

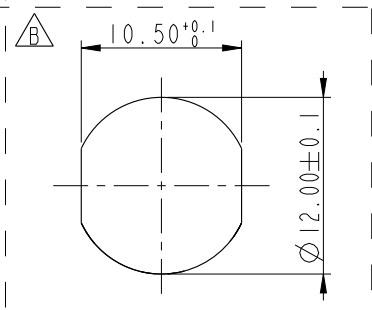
REV.	ECN NO.	DATE	SIGN	DESCRIPTION
A	Initial Release	2017-03-23	Frank Deng	Change Rev.01 To Rev.A
B	LEN1770180	2017-07-03	Frank Deng	Change Note



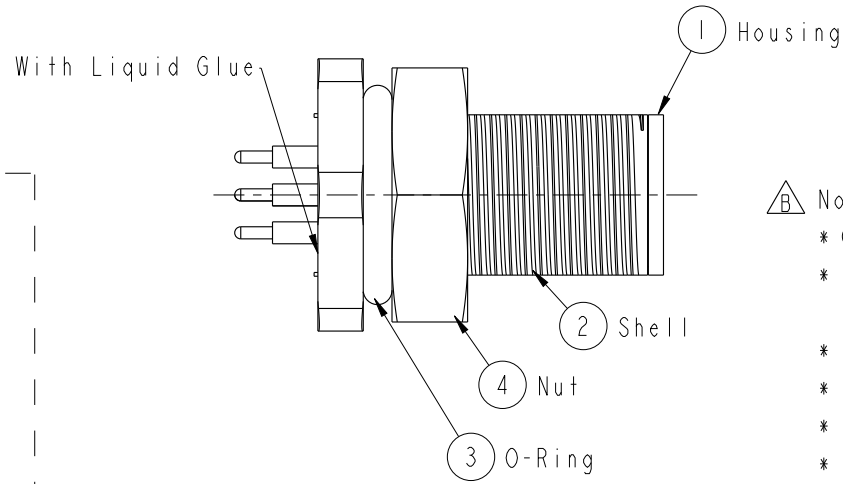
Recommended PCB Layout



Conn. Pin Assignments Front View



Recommended Panel Cut-Out



- Notes:**
- * Important Dimension To Check.
 - * Waterproof Rate: IP68
IP68: 1M Depth Of Water In 24hours.
 - * Connector: Nylon+GF, Black.
 - * Shell: Nylon+GF, UL94V-0, Black.
 - * Male Pin: Copper Alloy, Gold Plated.
 - * Screw Nut: Nylon+GF, Black.
 - * O-ring: Silicon, Gray.
 - * For Panel Thickness Max. 4.9mm

UNIT: mm			TITLE NMEA2000 MICRO-C, 180° PANEL 5PIN MCONN MPIN, PLASTIC				ITEM NO. HPC-05PMMP-SF8001	DRAWN BY Frank Deng	DATE 2017-07-06
			SCALE 2:1	SIZE A4	SHEET 1	OF 1	DWG NO. HPC-05PMMP-SF8001	CHECKED BY Fisher Wang	DATE 2017-07-06
TOLERANCE .X ±0.25 .XX ±0.1 .XXX ±0.05 ANGLES ±1°	REV. B		WC-REV. A.4	Inspection item	CUSTOMER ALTW		APPROVED BY Kevin Hu	DATE 2017-07-06	

Amphenol LTW
安費諾亮泰企業股份有限公司