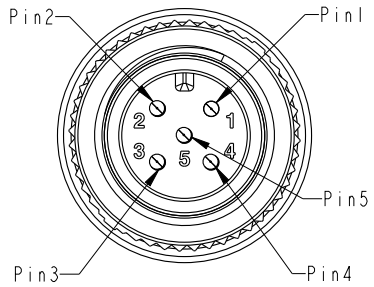
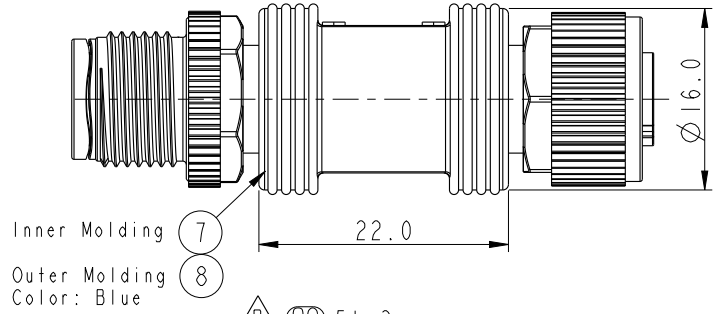
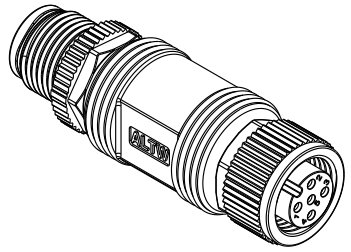


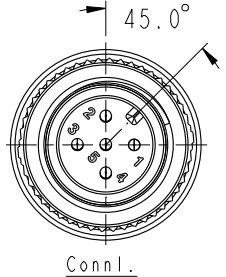
REV.	ECN NO.	DATE	SIGN	DESCRIPTION
A	Initial Release	2017-04-11	Frank Deng	Rev.01 To Rev.A
B	LE31760225	2017-05-27	Frank Deng	Change Part

ALTW
CONFIDENTIAL
2017-06-10
R&D DEPT.

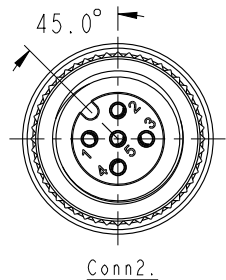
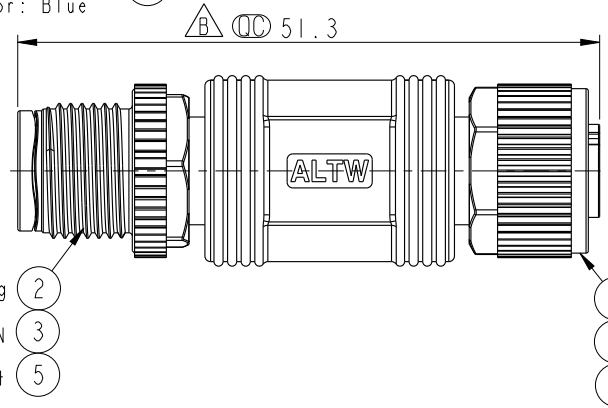
ALTW
DCC. DEPT.
CONFIDENTIAL
2017.06.14
ISSUED



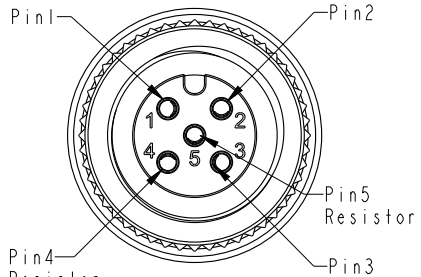
Pin Assignments
Front View
Conn1.



Conn1.



Conn2.



Pin Assignments
Front View
Conn2.

Blue 藍 (22AWG)	5	5	} Resistor
White 白 (22AWG)	4	4	
Black 黑 (22AWG)	3	3	
Red 紅 (22AWG)	2	2	
Green 綠 (22AWG)	1	1	
Wire Color	Conn.1	Conn.2	

Pin Out

- Note:
- * \varnothing Important Dimension.
 - * Waterproof Rate: IP68
 - * Connector: Black, PU
 - * Pins: Copper Alloy, Gold Plated
 - * Screw Nut: Nylon + G/F, Black.
 - * Resistor: 1/4W, 120ohm±5% Resistance, Molded Inside The Connector.
 - * Wire Harness: UL1007/TR64 22AWG, OD=0.76mm

UNIT: mm	
TOLERANCE	±0.5 mm

TITLE NMEA2000 MICRO-C INLINE RESISTOR			
SCALE 3:2	SIZE A4	SHEET 1 OF 1	
REV. B	WC-REV. A.3	\varnothing : Inspection item	

Amphenol LTW
安費諾亮泰企業股份有限公司

ITEM NO. HPC-000505-0MF-IS001	DRAWN BY Frank Deng	DATE 2017-05-27
DWG NO. HPC-000505-0MF-IS001	CHECKED BY Fisher Wang	DATE 2017-05-27
CUSTOMER ALTW	APPROVED BY Kevin Hu	DATE 2017-05-27

THIS DOCUMENT IS SUBJECT TO CHANGE WITHOUT NOTICE. IT IS CONFIDENTIAL AND A PROPERTY OF Amphenol LTW. DISCLOSURE TO THIRD PARTY HAS TO BE AUTHORIZED BY Amphenol LTW.