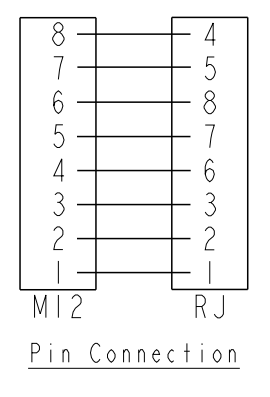
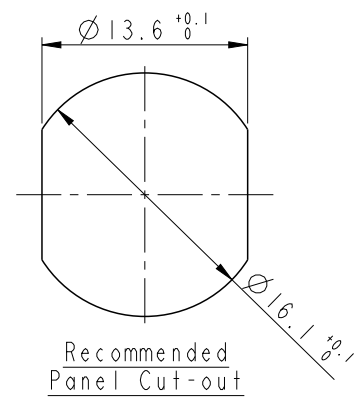
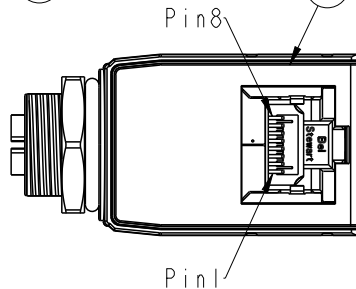
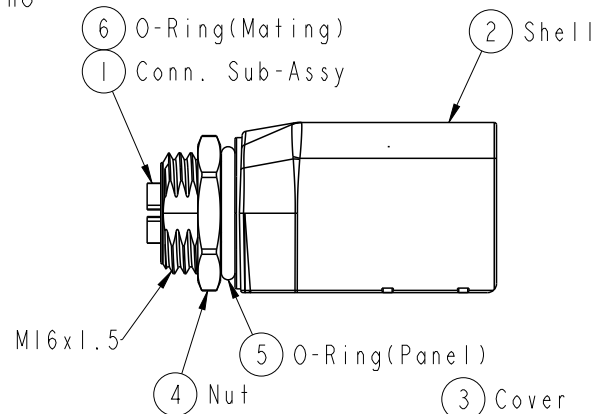
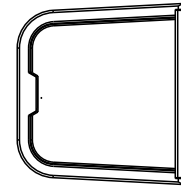
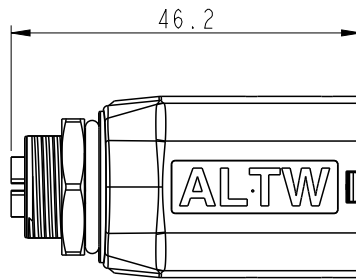
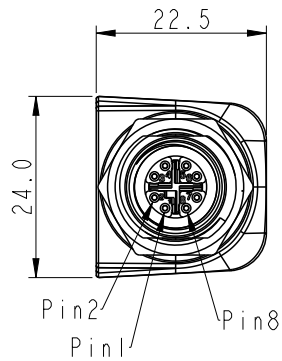


ALTW
CONFIDENTIAL
2017-11-24
R&D DEPT.

ALTW
DCC. DEPT.
CONFIDENTIAL
2017.12.12
ISSUED



REV.	ECN NO.	DATE	SIGN	DESCRIPTION



- Note:
- * \varnothing Important Dimension to Check.
 - * Waterproof Rate: IP67 Unmated (M12 side)
 - * M12 Housing: Nylon+GF, Black
 - * M12 Female Pin: Copper Alloy, Gold Plated
 - * RJ45 Contacts: Copper Alloy, Gold Plated
 - * Shell: Zinc Alloy, Nickel Plated
 - * Cover: Nylon+GF, Black
 - * Nut: Zinc Alloy, Nickel Plated
 - * Temperature Range: -25~+85°C
 - * Transmission Rate: FLUKE TIA Cat 6A Perm. Link
 - * Panel Thickness Max.: 3.0mm

UNIT: mm

TOLERANCE	
.X	±0.25
.XX	±0.1
.XXX	±0.05
ANGLES	±1°

TITLE M12 X-code to RJ45 ADAPTER ANGLED			
SCALE 1:1	SIZE A4	SHEET 1 OF 1	
REV. A	WC-REV. A.29	☉: Inspection item	

Amphenol LTW
安費諾亮泰企業股份有限公司

ITEM NO. RJS-12X08FF-RS7001	DRAWN BY Gaotong	DATE 2017/11/24
DWG NO. RJS-12X08FF-RS7001	CHECKED BY Neo	DATE 2017/11/24
CUSTOMER ALTW	APPROVED BY Max	DATE 2017/11/24

THIS DOCUMENT IS SUBJECT TO CHANGE WITHOUT NOTICE. IT IS CONFIDENTIAL AND A PROPERTY OF Amphenol LTW. DISCLOSURE TO THIRD PARTY HAS TO BE AUTHORIZED BY Amphenol LTW.