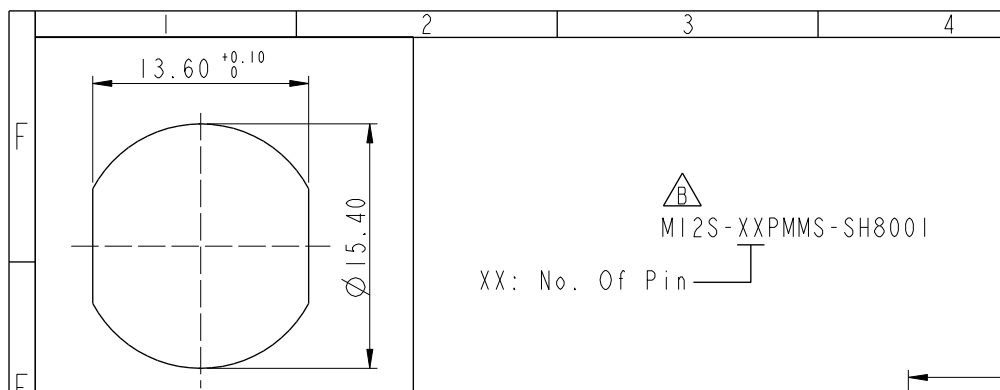
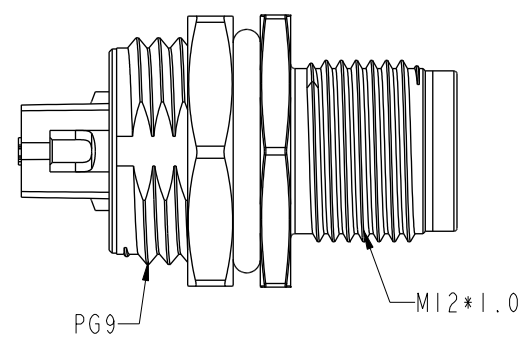
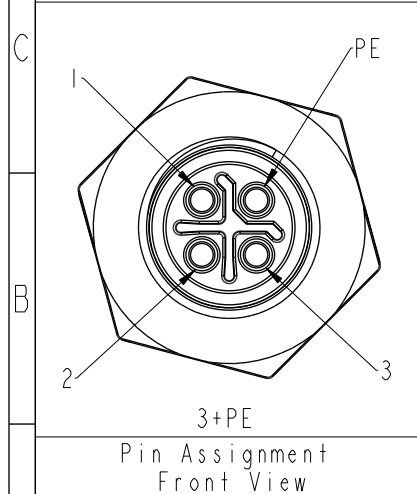
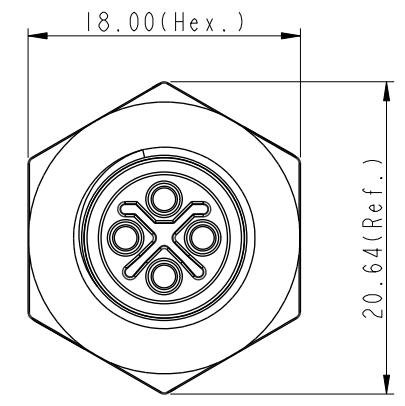
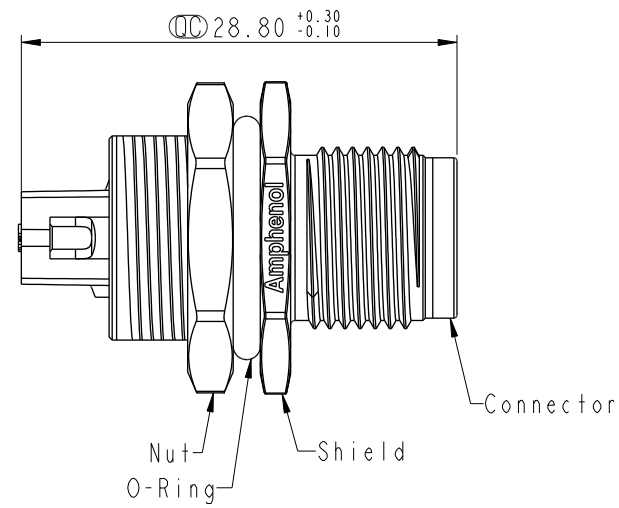
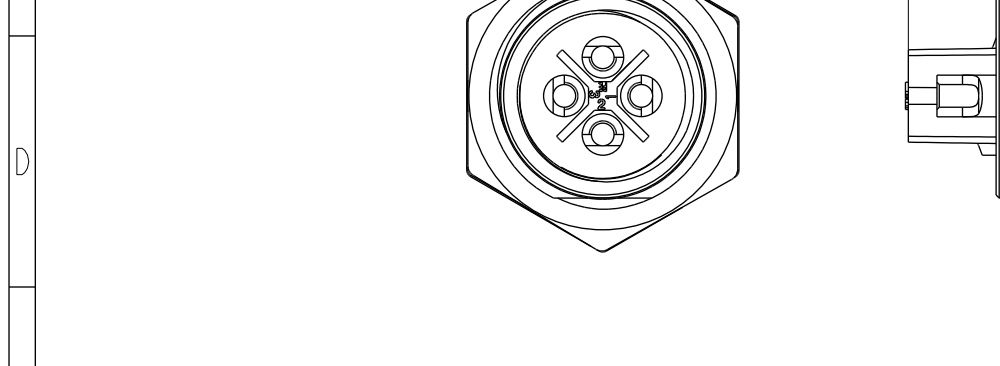


THIS DOCUMENT IS SUBJECT TO CHANGE WITHOUT NOTICE. IT IS CONFIDENTIAL AND A PROPERTY OF Amphenol LTW. DISCLOSURE TO THIRD PARTY HAS TO BE AUTHORIZED BY Amphenol LTW.

REV.	ECN NO.	DATE	SIGN	DESCRIPTION
A		2018/06/28	Jane	Change Rec.01 to Rev.A
B	C201469	2020/09/21	Ruru	$\triangle B$ X3
C	C210309	2020/03/10	Ruru	$\triangle C$ XI



Recommended Panel Cut-Out



- $\triangle C$ Note:
- * RoHS Compliant
 - * CC Important dimension
 - * Waterproof rate: IPX8, unmated 1m/24h
 - * Connector
 - Housing: Thermoplastic, Black
 - Pin: Copper alloy, Gold plated
 - * Shield: Metal
 - * Nut: Metal
 - * O-Ring: Rubber, Black
 - * For panel thickness max: 4.5mm
 - * Nut is packed separately in pe bag

UNIT:mm			TITLE N SEN, M12 S, SCREW RECEPTACLE, M, M, SOLDER $\triangle B$
TOLERANCE .X ±0.25 .XX ±0.1 .XXX ±0.05 ANGLES ±1°	SCALE 1:1	SIZE A4	SHEET 1 OF 1
REV. C	WC-REV. A.1	CC : Inspection item	

Amphenol LTW
安費諾亮泰企業股份有限公司

ITEM NO	DRAWN BY Jane	DATE 2018/06/28
DWG NO $\triangle B$ MI2S-XXPMS-SH8001	CHECKED BY Neo	DATE 2018/06/28
CUSTOMER ALTW	APPROVED BY Max	DATE 2018/06/28