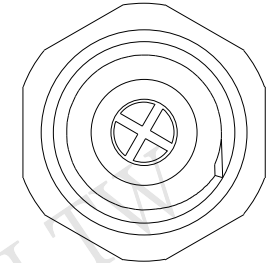
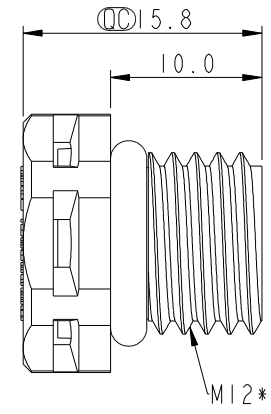
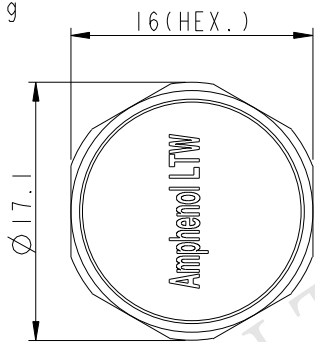
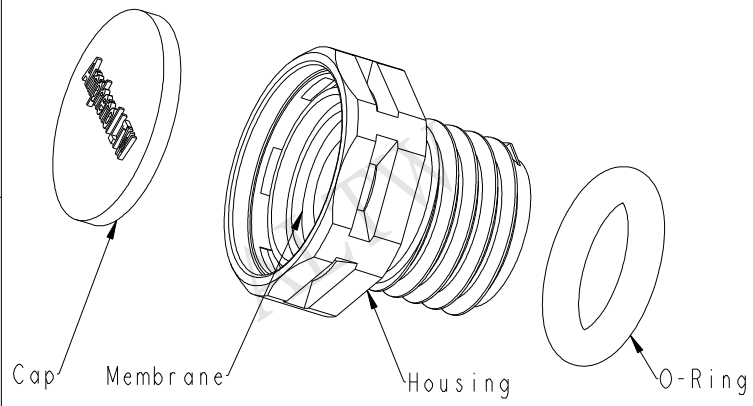


THIS DOCUMENT IS SUBJECT TO CHANGE WITHOUT NOTICE. IT IS CONFIDENTIAL AND A PROPERTY OF Amphenol LTW. DISCLOSURE TO THIRD PARTY HAS TO BE AUTHORIZED BY Amphenol LTW.

REV.	ECN NO.	DATE	SIGN	DESCRIPTION
A	Initial Release	2017/03/28	Jinhai	Chnage Rev.05 To Rev.A



Without Nut				
成品料號 (Product no.)	透氣量 ml/min@70mbar	主體顏色 (Body Colour)	O-Ring Color	疏油性 (Oleophobic)
VENT-PSINGY-N8001	>1000	Gray	Blue	N
VENT-PSINBK-N8001	>1000	Black	Blue	N
VENT-PSINGY-O8001	>550	Gray	Black	Y
VENT-PSINBK-O8001	>550	Black	Black	Y
VENT-PSINGY-O8002	>1000	Gray	Green	Y
VENT-PSINBK-O8002	>1000	Black	Green	Y

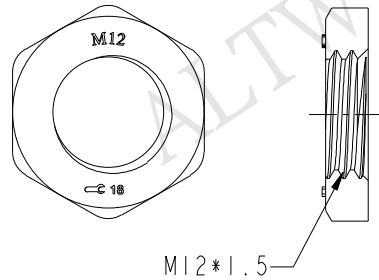
With Nut				
成品料號 (Product no.)	透氣量 ml/min@70mbar	主體顏色 (Body Colour)	O-Ring Color	疏油性 (Oleophobic)
VENT-PSIYGY-N8001	>1000	Gray	Blue	N
VENT-PSIYBK-N8001	>1000	Black	Blue	N
VENT-PSIYGY-O8001	>550	Gray	Black	Y
VENT-PSIYBK-O8001	>550	Black	Black	Y
VENT-PSIYGY-O8002	>1000	Gray	Green	Y
VENT-PSIYBK-O8002	>1000	Black	Green	Y

UNIT: mm			TITLE
TOLERANCE	.X ±0.25	.XX ±0.1	M12*1.5 VENT
.XXX ±0.05	ANGLES ±1°	SCALE 2:1	SIZE A4
		REV. A	SHEET 1 OF 2
		WC-REV. A.3	QC: Inspection item

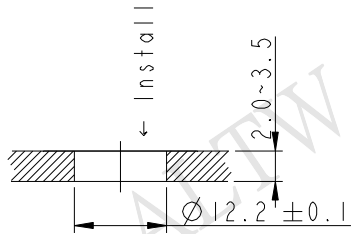
Amphenol LTW
安費諾亮泰企業股份有限公司

ITEM NO	DRAWN BY	DATE
DWG NO	CHECKED BY	DATE
CUSTOMER	APPROVED BY	DATE
	Jinhai	2017-03-28
	Feng-li	2017-03-28
	Jerry	2017-03-28

Screw Nut: Optional part
 No.: APTP-ABKPA012-001
 螺母作為選配件

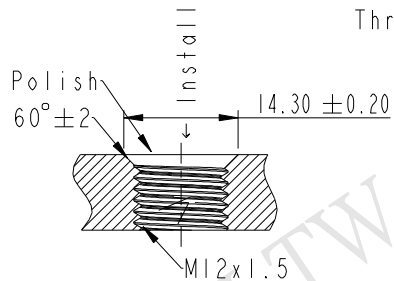


Through-hole

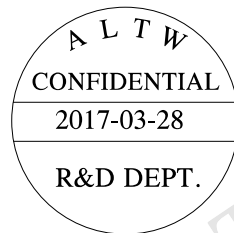


Recommended Panel Cut-Out
 建議開孔尺寸

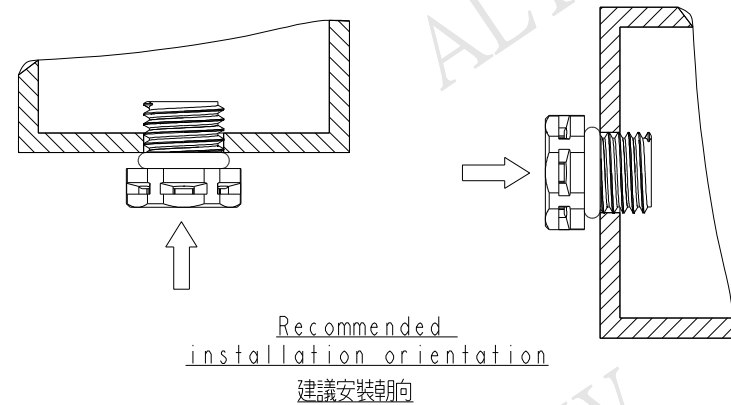
Threaded-hole



Recommended Panel Cut-Out
 建議開孔尺寸



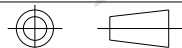
REV.	ECN NO.	DATE	SIGN	DESCRIPTION



Note:

- * \varnothing Important Dimension.
- * Waterproof Rate: IP68((2m, 60minutes), IP69K)
- * Cap: Nylon+GF, 94V-0, UV Resistance
- * Membrane: ePTFE
- * Body: Nylon+GF, 94V-0, UV Resistance
- * O-Ring: Silicone
- * Nut Torque Force: 6.0~8.0 Kgf.cm

UNIT:mm



TITLE

M12*1.5 VENT

Amphenol LTW
 安費諾亮泰企業股份有限公司

ITEM NO	DRAWN BY	DATE
	Jinhai	2017-03-28
DWG NO	CHECKED BY	DATE
VENT-PSIXXX-XXXXX	Feng-li	2017-03-28
CUSTOMER	APPROVED BY	DATE
ALTW	Jerry	2017-03-28

TOLERANCE
 .X ±0.25
 .XX ±0.1
 .XXX ±0.05
 ANGLES ±1°

SCALE 2:1

SIZE A4

SHEET 2 OF 2

REV. A

WC-REV. A.3

\varnothing : Inspection item

THIS DOCUMENT IS SUBJECT TO CHANGE WITHOUT NOTICE. IT IS CONFIDENTIAL AND A PROPERTY OF AMPHENOL LTW. DISCLOSURE TO THIRD PARTY HAS TO BE AUTHORIZED BY AMPHENOL LTW.