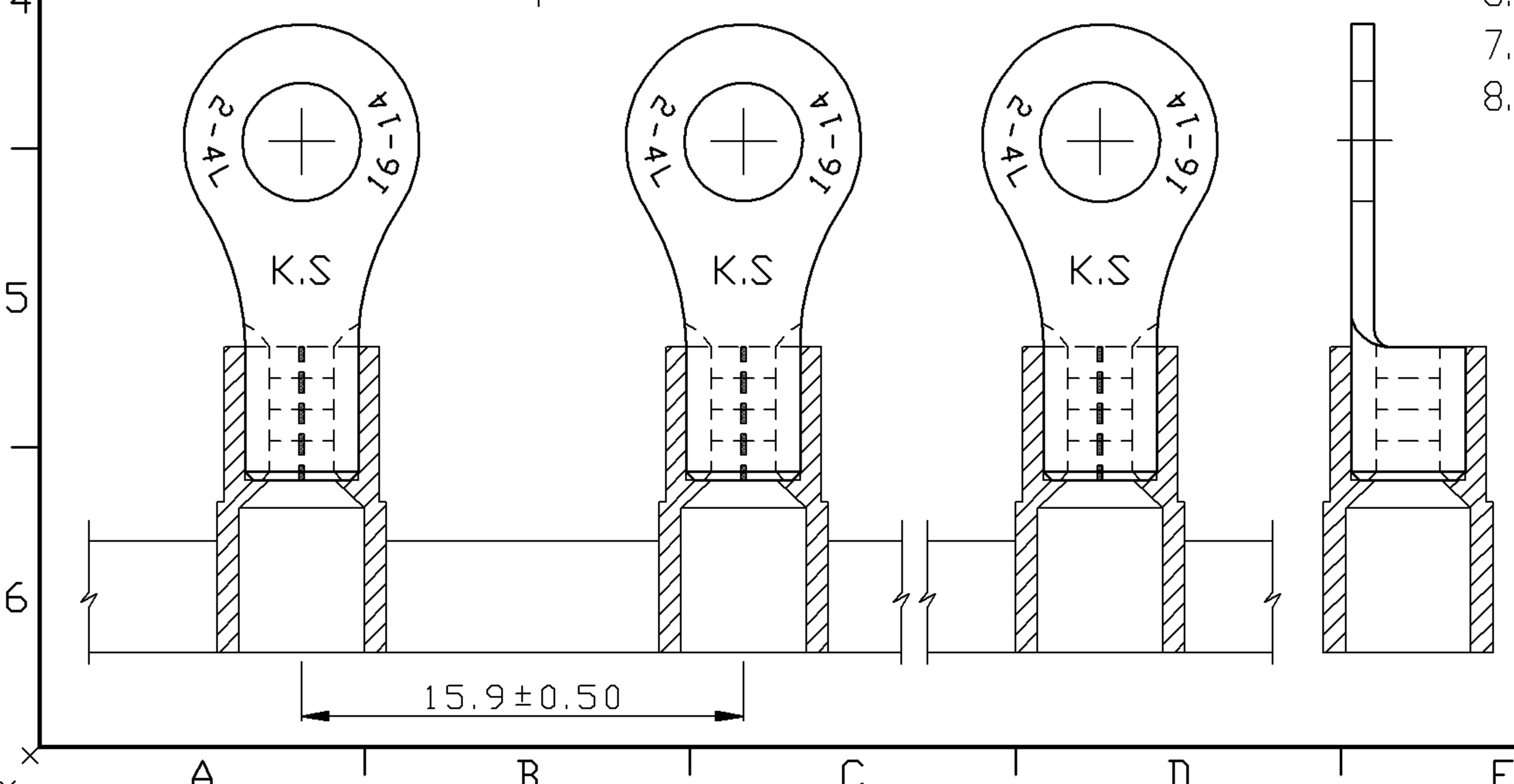


REV	DESCRIPTION	DATE
△	RDK-97127	張馨尹 2009/05/06
△	RDK-98020	張馨尹 2009/05/06

- NOTE :
- MAXIMUM ELECTRIC CURRENT : 

A.W.G.	16	14	
AMP.	18	30	
  - MAXIMUM ELECTRICAL RATING : 105°C 600 VOLTS MAX.
  - INSULATION MATERIAL : NYLON
  - INSULATION COLOR : BLUE
  - TERMINAL MATERIAL : COPPER
  - WIRE RANGE : 16-14 A.W.G. ( 1.5-2.5 mm<sup>2</sup> )
  - TERMINAL SURFACE TREATMENT : TIN PLATED
  - TERMINAL THICKNESS : 0.80 mm



△ Tolerance Unless	
□ Otherwise Specified	
0 >	mm ± ANGLE
>	mm ± 0° ° REF ±
>	mm ± ° ° ±
>	mm ± ° ° ±

NAME	PLASTIC STRIP ON REEL TYPE (NYLON-INSULATED PS SERIES)			UNIT	⊕ ⊖
PART NO.	RNYBL2-4-PS	MATERIAL	-----	APPROVE	張馨尹
NUMBER	KA-96266-C	SCALE	SHEET PAGE	CHECKED	楊駿孝
DATE	2007/02/05	3/1	1-2 10F2	DRAWN	張馨尹

**KST. K.S. TERMINALS INC.**