

SPECIFICATIONS SHEET

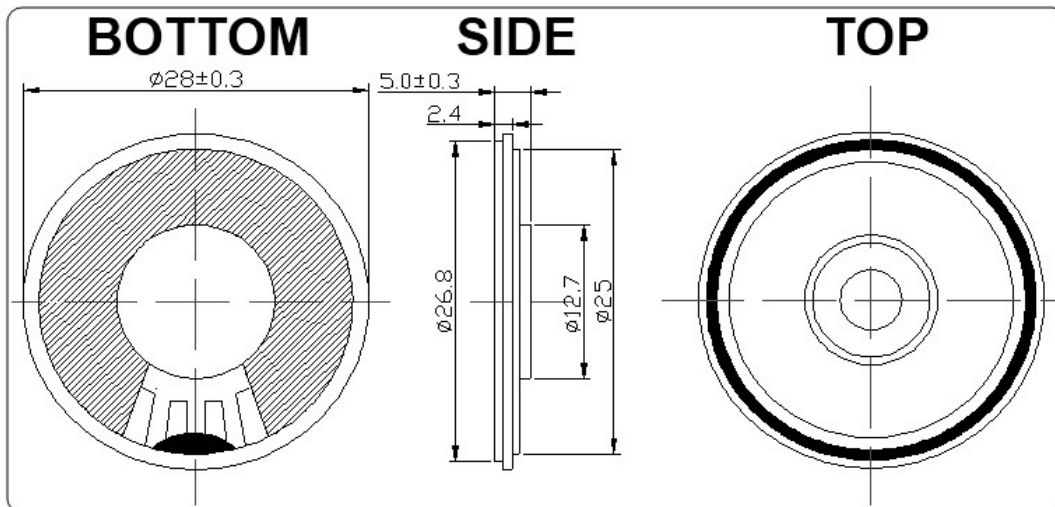
MYLAR SPEAKER
P/N: MSI28-P11026

1. SPECIFICATIONS

PARAMETERS	VALUES	UNITS
*SOUND PRESSURE LEVEL	91 ± 3	dBA
RESONANCE FREQUENCY (Fo)	650 ± 20%	Hz
FREQUENCY RANGE	Fo – 20,000	Hz
RATED IMPEDANCE(AT 1KHZ 1.0V)	8 ± 15%	Ohm
RATED POWER	0.5	W
MAX POWER	1.0	W
MAGNET	Ø9.5 X 1.5 NdFeB	-
OPERATING TEMPERATURE	-20 to +60	°C
STORAGE TEMPERATURE	-30 to +60	°C
HOUSING	Metal	-
DIAPHRAGM MATERIAL	Mylar cone	-

*Tested at 0.1m 0.1W 800, 1k, 1.2k, 1.5kHz Average

2. DIMENSIONS (unit in mm)



Tolerance: ±0.5mm except specified

VERSION: 01

DATE: 23-Feb-11

All specifications subject to change without notice