



Product Specifications

Customer :	
Model No. :	NTSP101 V3XX



Features :

- ★ 10.1" PCAP True Flat Touch Monitor
- ★ 7H Hardness Tempered Cover Glass
- ★ 10 points Multi-touch
- ★ Metal Cabinet with Diverse Combine Options
- ★ 3 Years Warranty
- ★ Survivable in All Kind of Environment
- ★ AG/AR/AF Film Options
- ★ All Kind of Connectors Option (VGA/DVI/HDMI/DP)



Records of Revision

Vision	Modifying	Old Description	New Description
v1604.1	first issue		
v1604.2	Revise the model No. of VGA+DVI option	NTSP101XX-XXXXXXGX-300	NTSP101XX-XXXXXXIX-300
v1604.3	Revise the dimension		

Display Specifications

General Specifications

Full Model No.	NTSP101NP-XXXXXXX-300	Support Color	262K Colors (RGB-6bits)
Abbreviation	NTSP101 V300	Pixel Pitch	0.1695x0.1695 mm
Screen Diagonal	10.1 inch	Response Time	25 msec
Display Area	216.96x135.6 mm	Backlight Unit	LED (white LED)
Resolution	1280x800	Viewing Angle (L/R,U/D)	170° / 170° (Typ.)
Brightness	300 nits	Backlight Life Time	15000 HRS
Contrast Ratio	1300:1	Operating Temp.	-20~60°C
Display Ratio	16:10	Surface Treatment	Anti-Reflection ≤ 1.5% / Anti-Static



Brightness Options

Item	Brightness	Model No.

Display Input Options

Item	Connectors	Model No.
Standard	VGA+HDMI+DP	NTSP101XX-XXXXX 3 X-300
Option1	VGA+DVI+HDMI	NTSP101XX-XXXXX 7 X-300
Option2	VGA+DVI	NTSP101XX-XXXXX 1 X-300

Power Input Options

Power Input	Connector	Model No.
DC 12V (Standard)	DC Jack 2.5 φ with Adapter	NTSP101NP-XXXXXX 1 -300
DC 12V Lockable	DC Jack 2.5 φ with Adapter (Lockable)	NTSP101NP-XXXXXX 2 -300



* DC-12V Adapter



* DC-12V Adapter with Lockable Connector

Fan Options

Item	Description	Model No.
Standard	Fanless	NTSP101NP-XXXX 0 XX-300

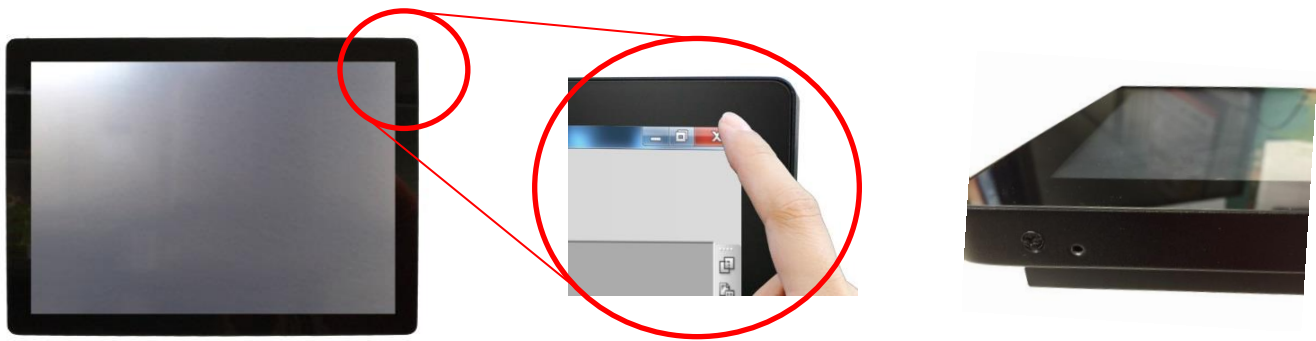
Touch Specifications

Non-touch Model

Full Model No.	NTSP101N _Q -XXXXXXX-300		
Glass thickness	2.0±0.2mm	Glass Hardness	≥7H

PCAP Touch Model

Full Model No.	NTSP101N _P -XXXXXXX-300	Total Thickness	2.2±0.2mm
Touch Screen	Projected Capacitive	Transparency	≥87%
Allowed touch points	10 points	Hardness	≥7H
Interface	USB or RS232	Operating Temp.	-10°C~50°C



* True flat / Zero Bezel

Surface Film Options

AG	Anti-Glare	AR	Anti-Reflective
AFP	Anti-Fouling/FingerPrint	AS	Anti-Spy

Physical Specifications

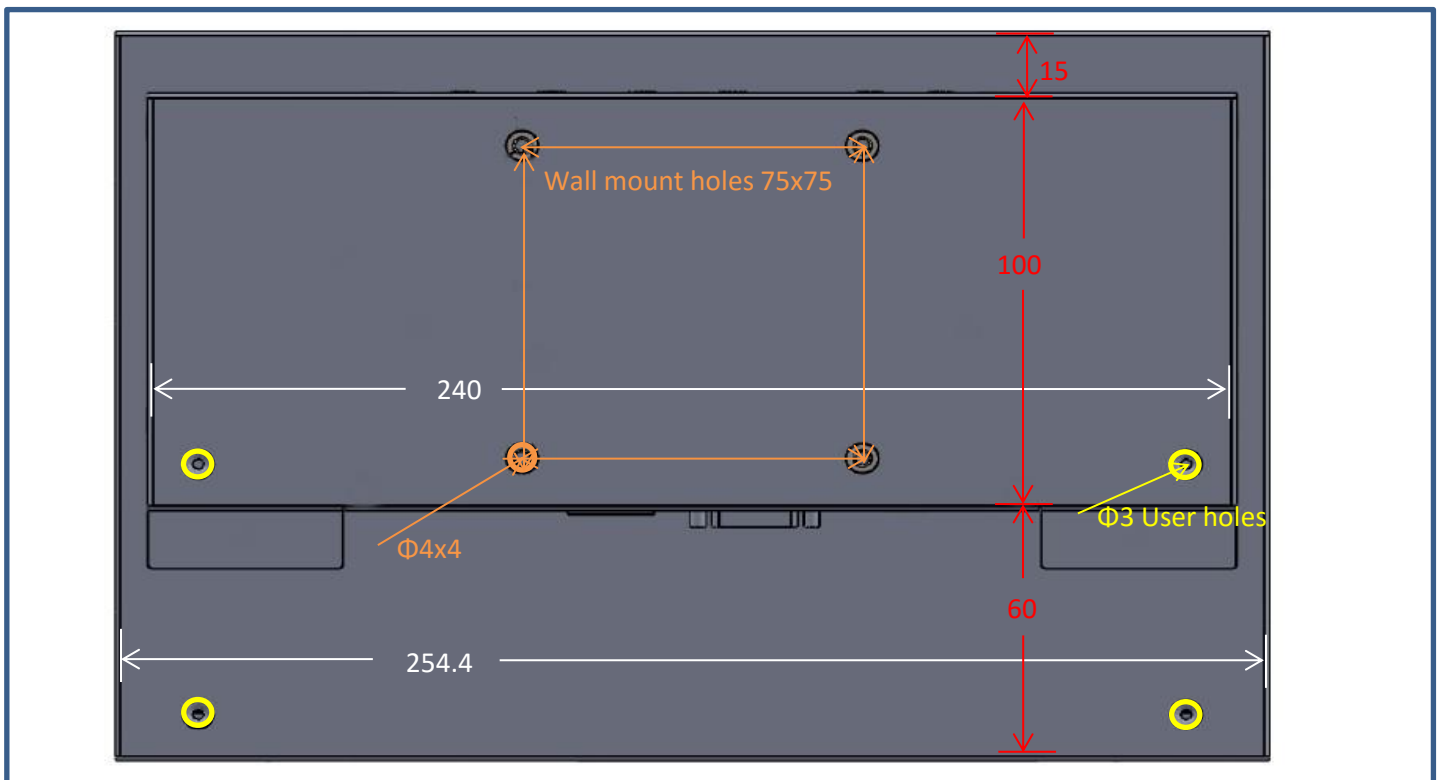
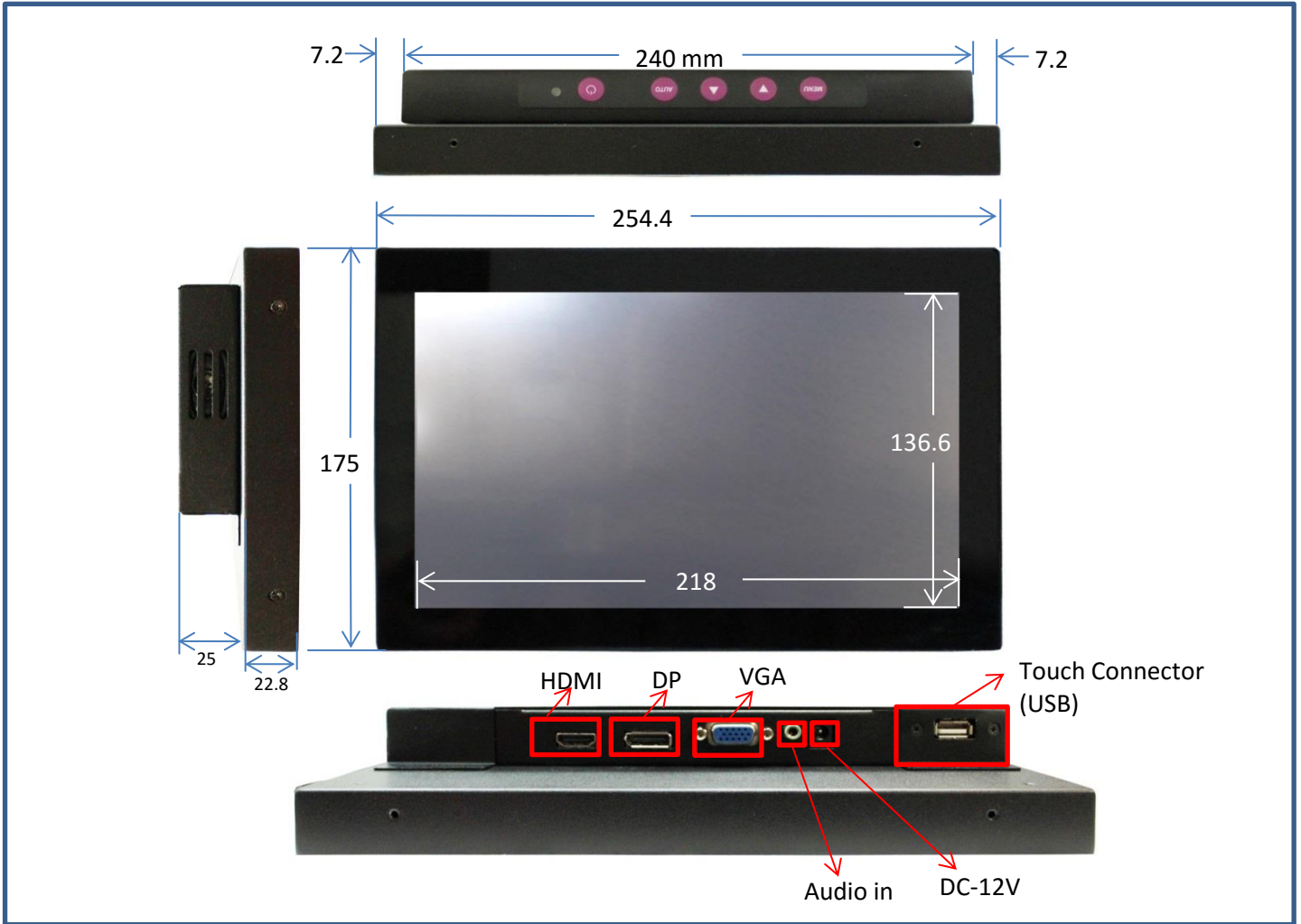
Dimension (Max)	254.4x175x47.8 mm	Cabinet Material	Galvanized steel (SECC)
Net Weight	2.5 KG	Speaker	2W x2
Wall Mount Hole	VESA 75x75		

Accessories

Item	Description	Quantity
VGA Cable	D-Sub 15Pin Male to Male , 1.2 Meter	1
Audio cable	3.5mm Headset Jack , Male to Male , 1.2 Meter	1
AC-DC Adapter	4.16A/12V with CE/FCC/CCC/UL/RoHS/PSE/JET Certification	1
Power cord	*(depends on Country)	1
USB Cable	A type , Male to Male , 1.5 Meter *(only for touch monitor)	1

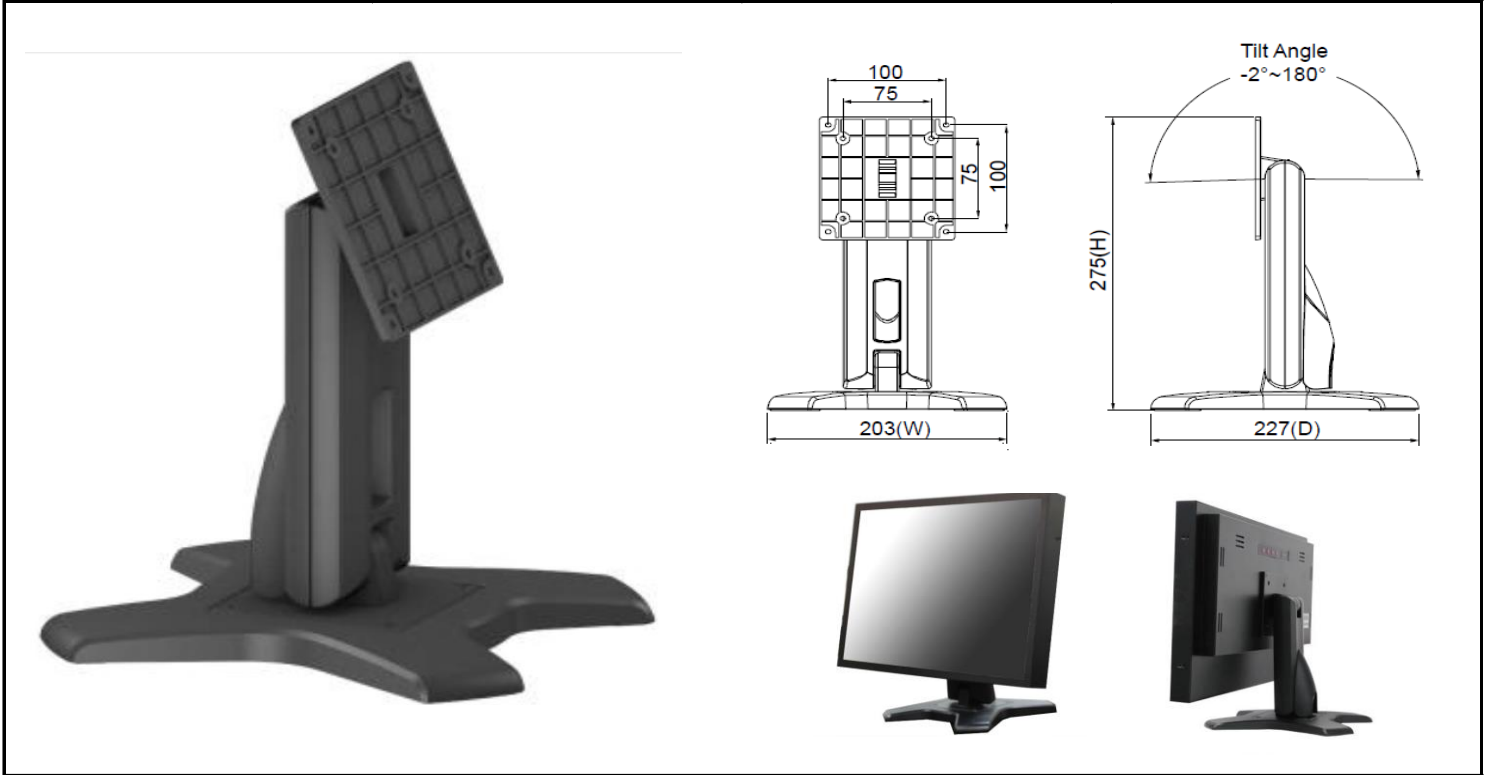


Outward and Dimensions

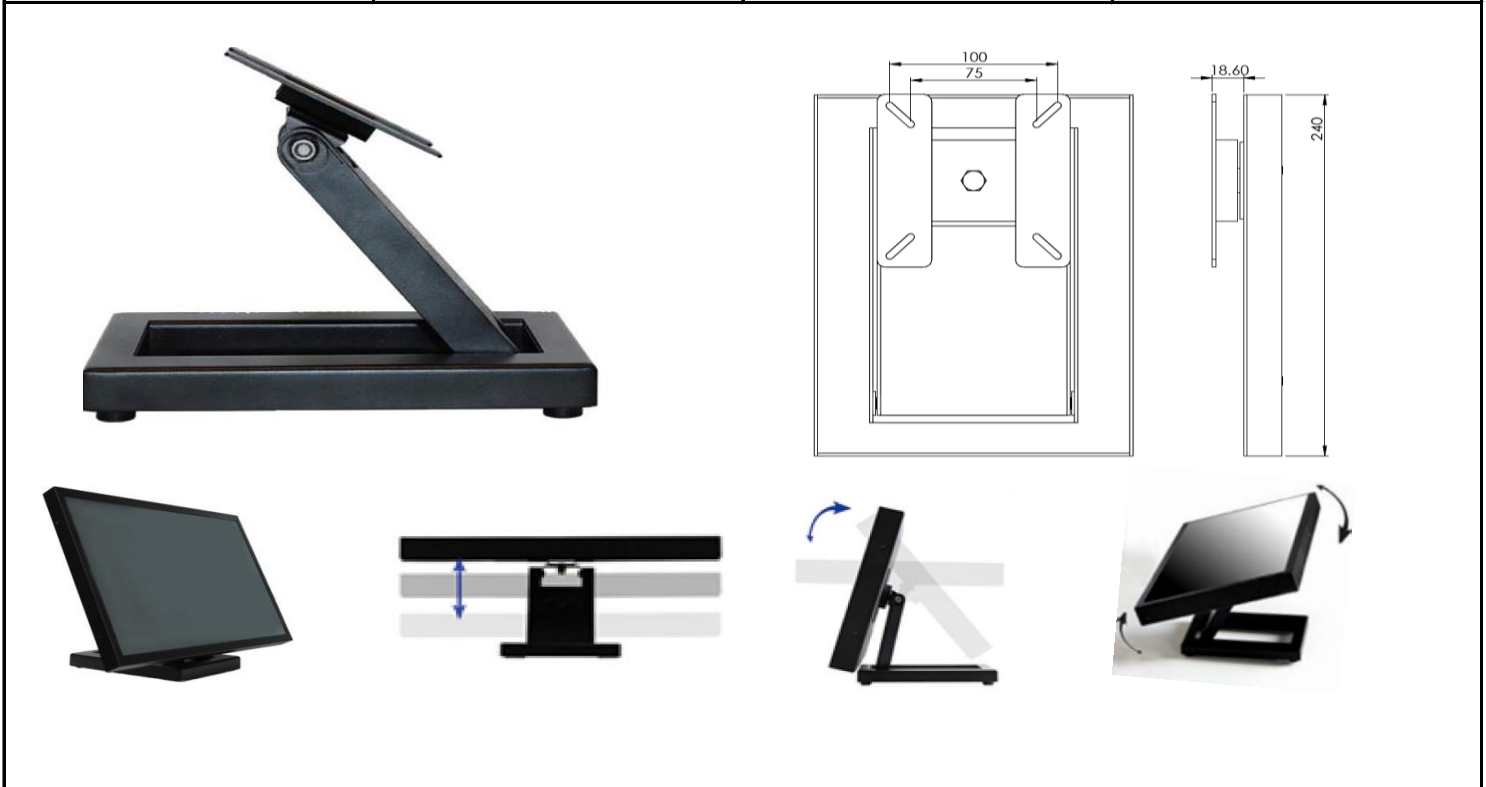


Optional Accessories (Desktop Stand)

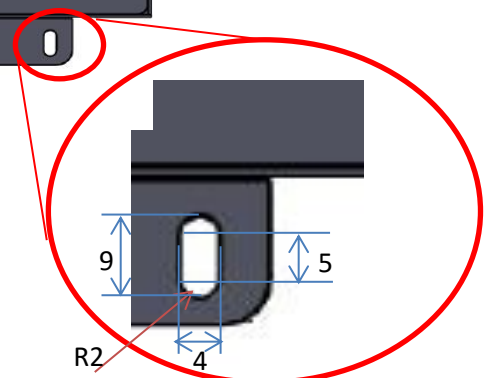
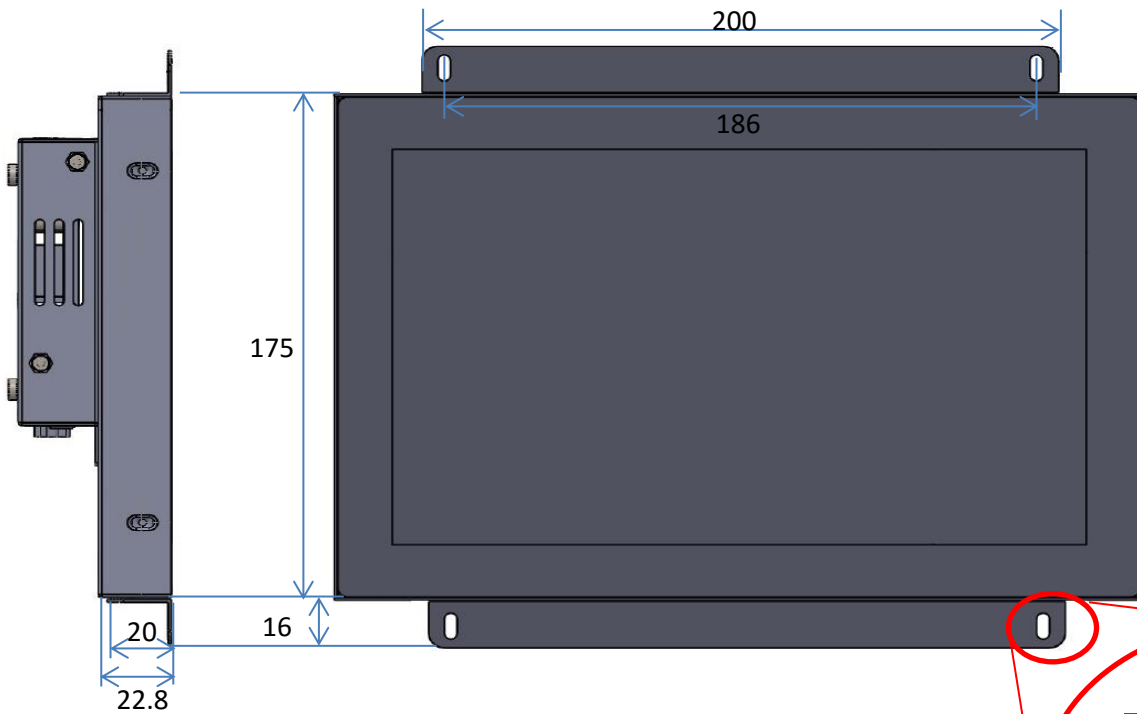
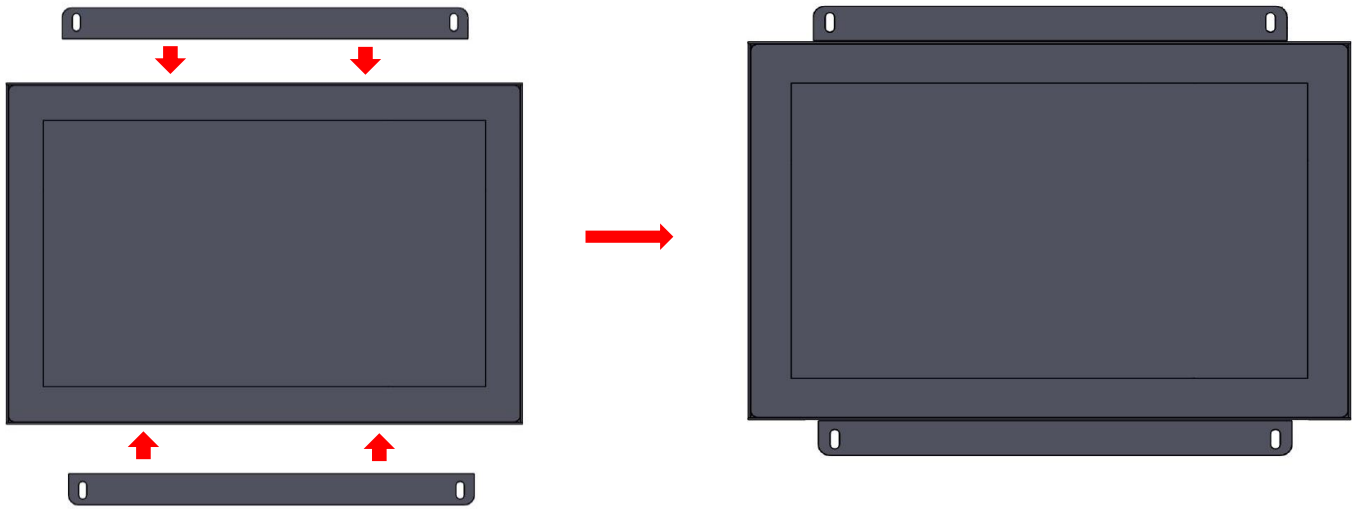
Item	B Stand	Part No.	P1SS0 / P1SS0-02
Mounting Pattern	100x100 / 75x75 mm	Dimension (WxHxD)	203x275x227 mm
Material	Steel/Plastic/Aluminum	Net Weight	1.8 KG
Tilt(Hinge)	-2° ~ +180°	Support Max. Weight	15KG



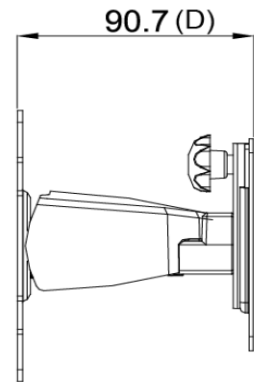
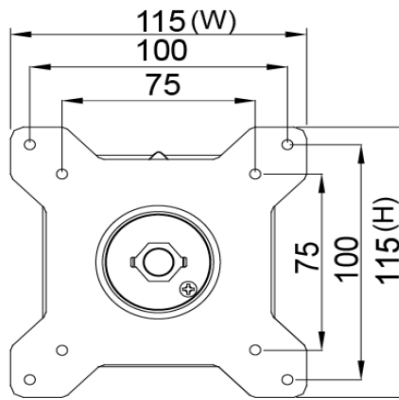
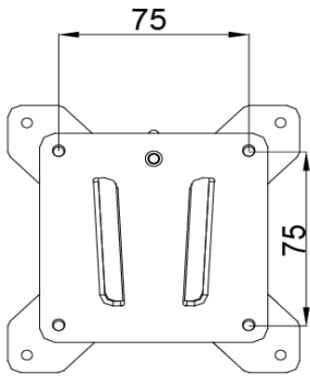
Item	Z Stand	Part No.	P1SZ2
Mounting Pattern	100x100 / 75x75 mm	Dimension (WxHxD)	240x190x41.6 mm
Material		Net Weight	2.6 KG
Tilt(Hinge)	-180° ~ +180°	Support Max. Weight	



Optional Accessories (Open-frame Brackets)



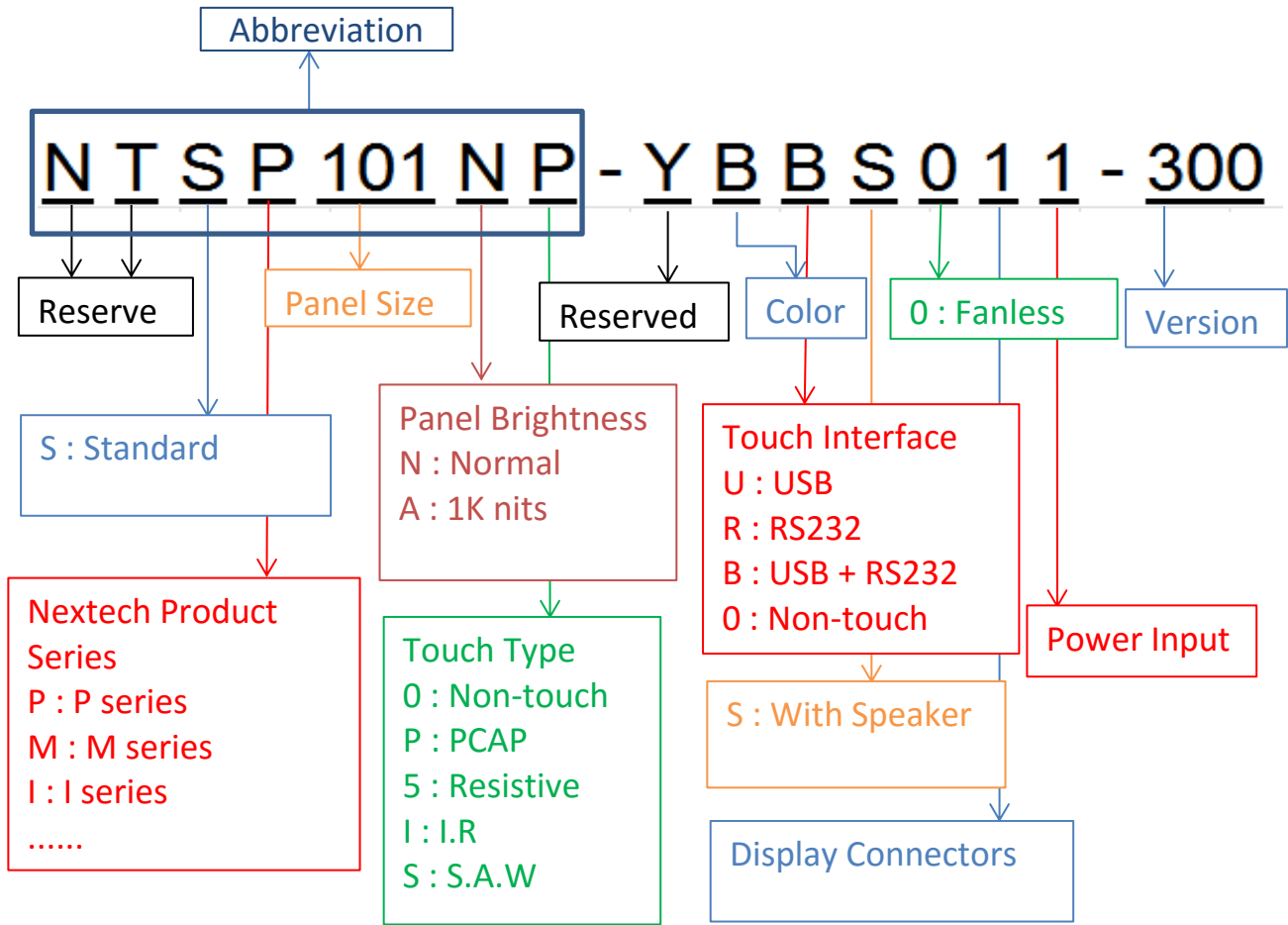
Optional Accessories (Wall Mount Bracket)



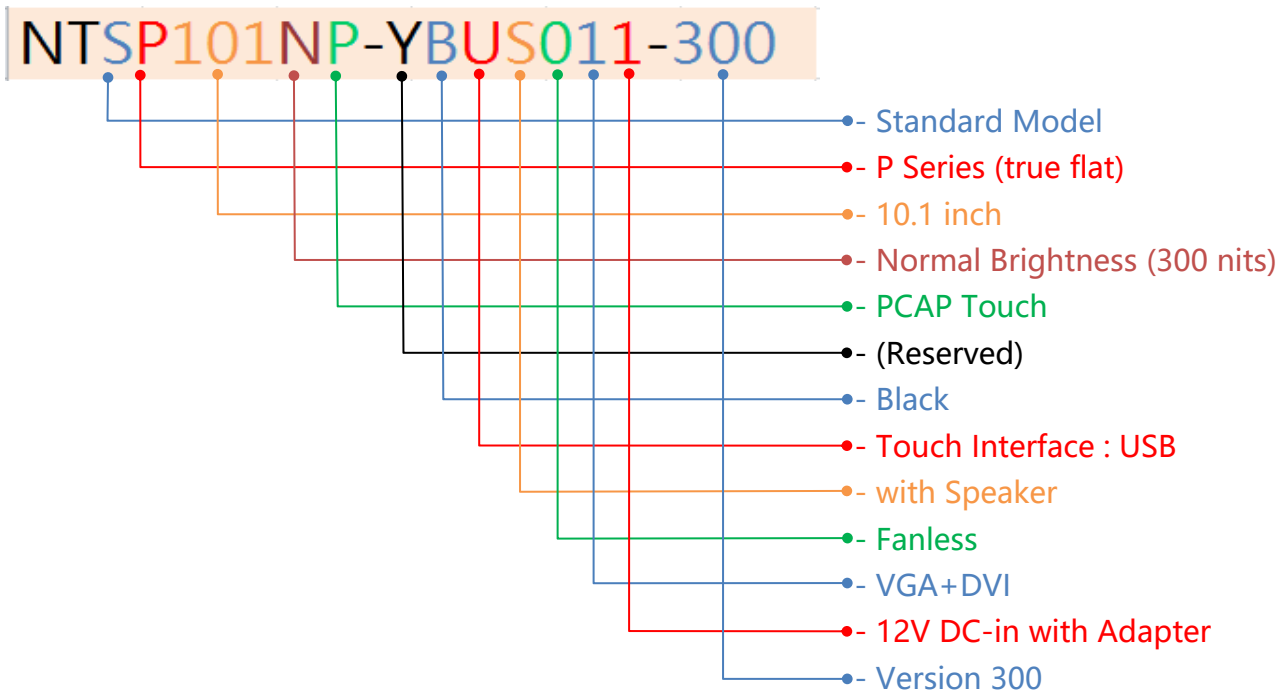
Packing Information

Net Weight	2.5KG
Gross Weight	3.2KG
Q'ty per Pallet	
Pallet Size	
Total Size	

Coding Rule



Examples



Optional Accessories (Desktop Stand or Arm)



- 273x180x265 mm
 - 1.07 KG
 - Support 12 KG



- 620x556x123 mm
 - 3 KG
 - Support 10 KG



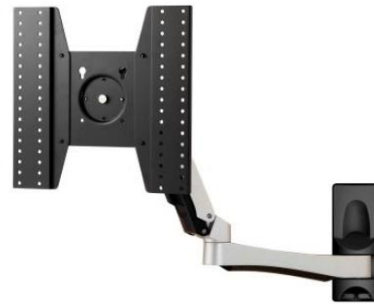
- 250x192x445 mm
 - 1.4 KG
 - Support 12 KG



- 655x858.5x563 mm
 - 7.56 KG
 - Support 30 KG



- 158x403x144 mm
 - 2.12 KG
 - Support 12 KG



- 646x861x953.5 mm
 - 8.57 KG
 - Support 30 KG



- 423x403x240 mm
 - 1.91 KG
 - Support 12 KG



- 1300x403x307 mm
 - 5.3 KG
 - Support 8 KG



- 715x393x144 mm
 - 3.68 KG
 - Support 12 KG

