



# Product Specification

Customer :	
Model No. :	NTP320

**Features :**



- ★ 1920x1080 Full-HD Resolution
- ★ PCAP True Flat Multi-Touch Screen
- ★ 7H Hardness Tempered Cover Glass
- ★ MVA Technology, Wide Viewing Angle (178° /178° )
- ★ Metal Cabinet with Diverse Combine Options
- ★ 3 Years Warranty
- ★ Survivable in All Kind of Environment
- ★ High Brightness Option
- ★ Anti-Glare/Anti-Reflection/Anti-Fingerprint Film Options



			
BSMI	CE	FCC	RoHS
<b>Compliance</b>			

Records of Revision			
Vision	Modifying	Old Description	New Description
v1703.1	Re-Issue		
v1703.2	Power consumption	n/a	<55W
	Add wall mount holes specification of screws	n/a	M4 x 4mm

## Display Specification

### General Specifications

Full Model No.	NTP320B0BUNSA-002	Support Color	16.7M Color
Abbreviation	NTP320	Pixel Pitch	0.3637x0.3637 mm
Screen Diagonal	31.5 inch	Response Time	8 msec
Display Area	698.4x392.85 mm	Backlight Unit	LED
Resolution	1920x1080 (FHD)	Viewing Angle (L/R,U/D)	178° / 178°
Brightness	Optional	Backlight Life Time	50000 HRS
Contrast Ratio	3000:1	Operating Temp.	0~50°C
Display Ratio	16:9	Surface Treatment	Anti-Glare, Haze=2%

### Brightness Options

Item	Brightness	Model No.
Standard	500 nits	NTP320XXXXNSA-002
Enhanced	1000 nits	NTP320XXXXASA-002

### Display Input Specification

Item	Connectors	Model No.
Standard	VGAx1, DVIx1, HDMIx2	

### Power Input Specification

Power Input	Connector	Model No.
AC 100~240V	C14 Socket	

### General Specifications

Speaker	10Wx2	Dimension	757x490.6x57.4 mm
Wall mount	20x20 CM	Display interface	VGAx1, DVIx1, HDMIx2
Housing Material	Galvanized Steel (SECC)	Other connectors	Audio-in, AC-in, <b>USB input</b>
Net Weight	<16KG	Power consumption	<55W

## Accessories

Item	Description	Quantity
VGA Cable	D-Sub 15Pin Male to Male , 1.2 Meter	1
Audio cable	3.5mm Headset Jack , Male to Male , 1.2 Meter	1
Power cord	*(depends on Country)	1
USB Cable	A type , Male to Male , 1.5 Meter *(only for touch monitor)	1



## Touch Specifications

### Non-touch Model

Full Model No.	NTP3200XXXXSA-002	Tempered Glass Thickness	2.0±0.2mm
		Glass Hardness	≥7H

### PCAP Touch Model

Full Model No.	NTP320BXXXXSA-002	Transparency	≥87%
Touch Screen	Projected Capacitive	Operating Temp.	-10°C~50°C
Allowed touch points	10 points	Cover Lens Thickness	4±0.2mm
Interface	USB	Hardness	≥7H



\* True flat / Zero Bezel

## Surface Film Options

AG	Anti-Glare	AR	Anti-Reflective
AFP	Anti-Fouling/FingerPrint	AS	Anti-Spy (MOQ required)

## Supported OS

OS	Version
Windows	Win10, Win8, Win7, Vista, XP, Embedded XP, Win2000, CE.NET 4.x ↑
Linux	Kernel 2.6.24 ↑
Android	3.0 ↑
Mac	10.5.x ↑ (Intel CPU)

★ Media Playback Function : Automatically play the multimedia files via USB pendrive. (No need PC)

## Supported File Format

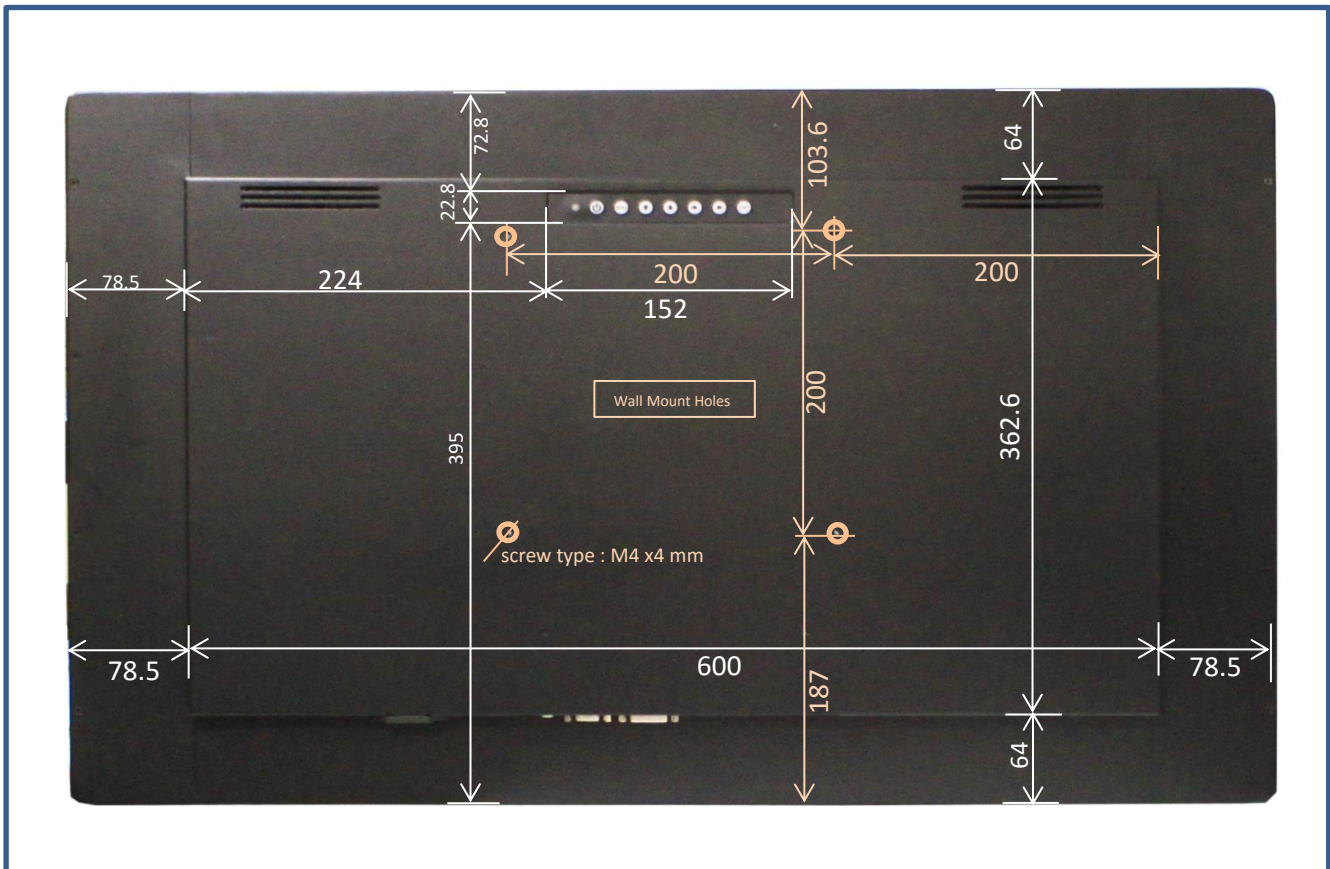
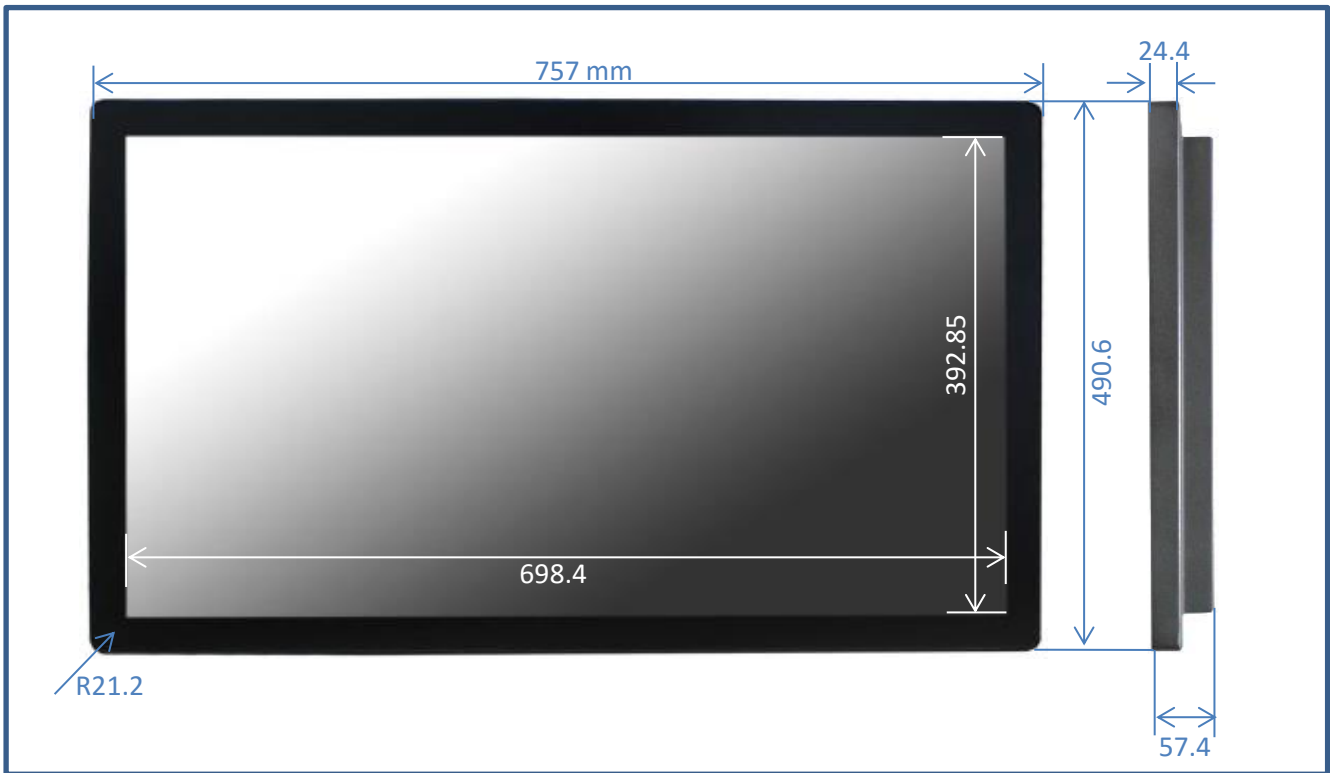
Movie	.avi .mpg .dat .vob .mov .mkv .rm .rmvb .mp4 .mjpeg .ts .trp .wmv .asf .flv
Picture	.jpg .bmp .png
Music	.mp3 .m4a

Note :

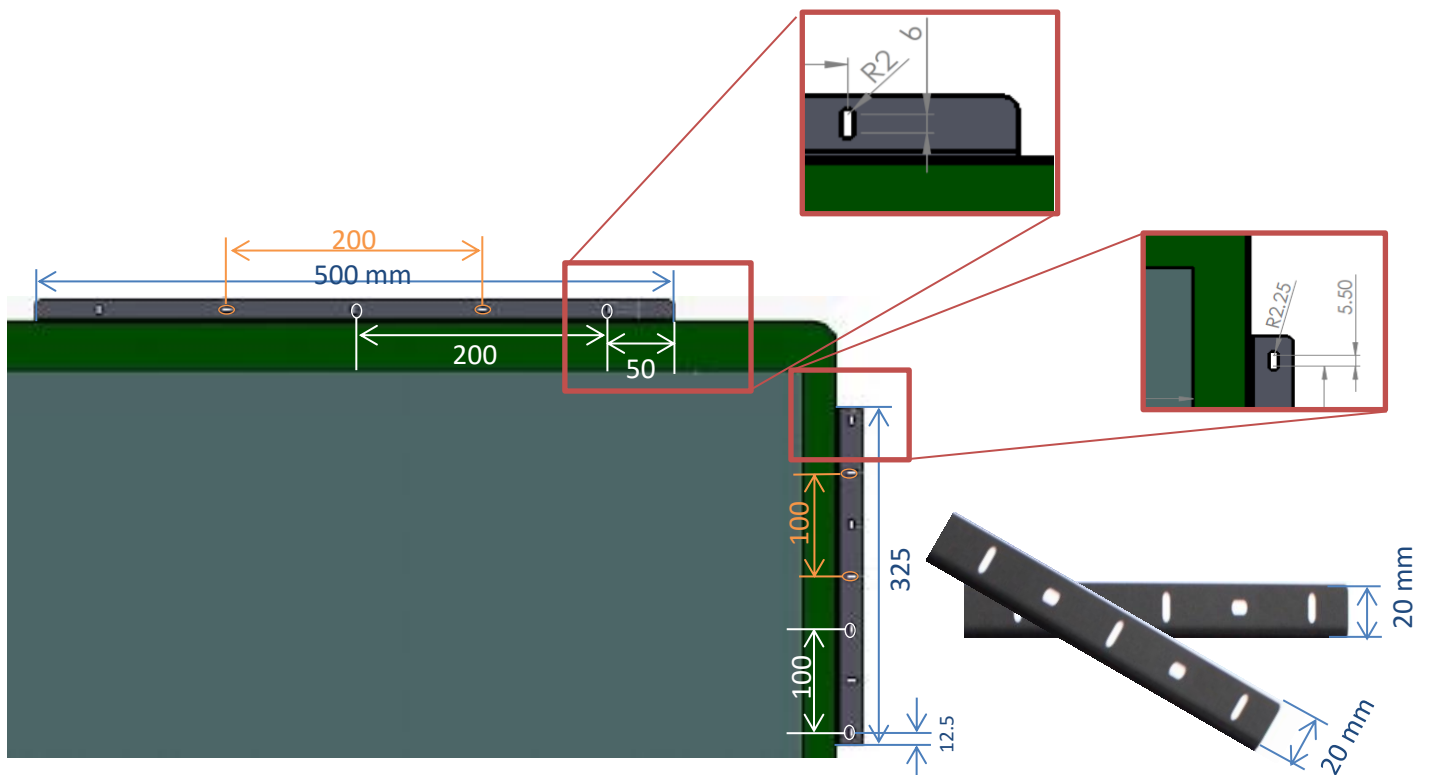
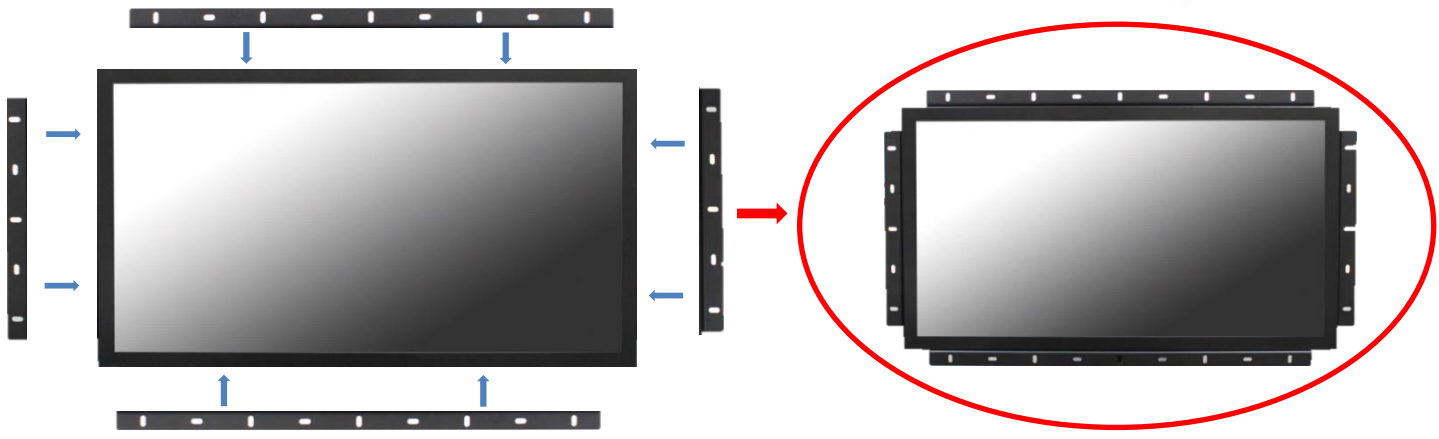
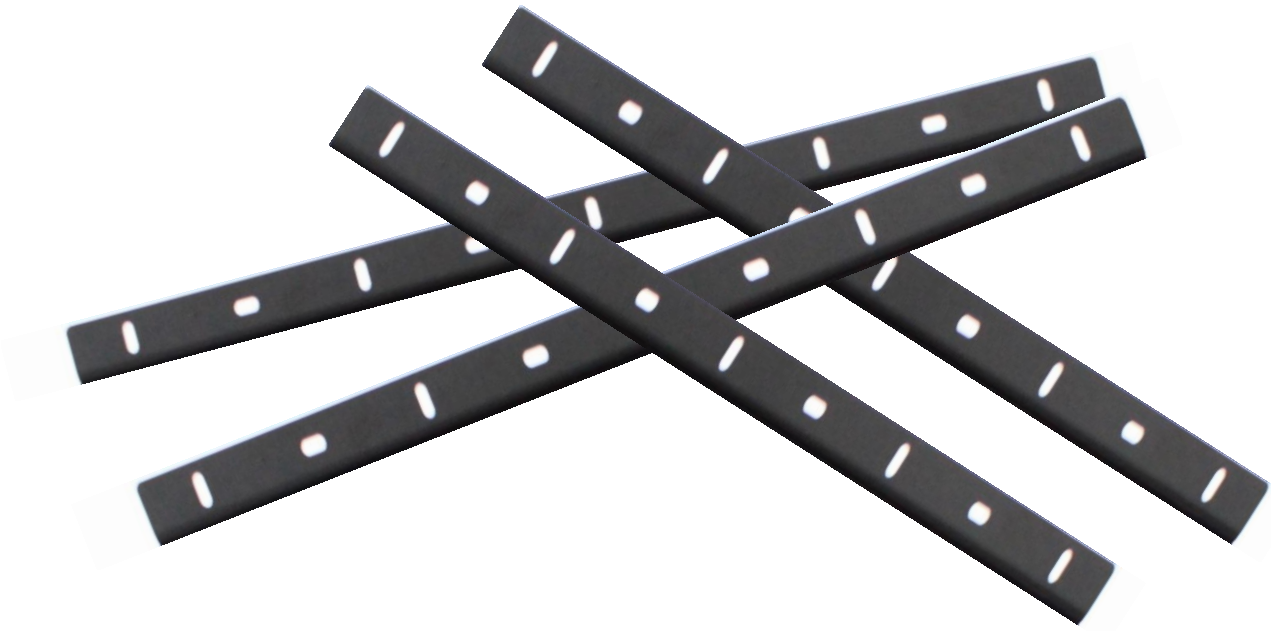
Touch function and media playback function can't work at the same time.

Touch function requires a PC, the media playback function requires only an USB pen-drive.

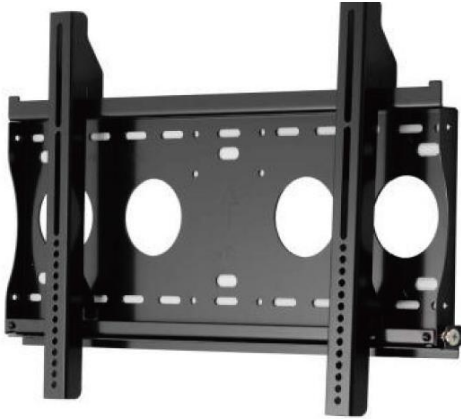
## Outward and Dimensions



Optional Accessories (Open-frame Brackets)



**Wall Mount Brackets (option)**



**Cart Stand (option)**



**Packing Information**



Net Weight	15.6 KG
Gross Weight	20.2 KG
Q'ty per Pallet	8 pcs
Pallet Size	120x100x15 CM
Total Size	120x100x151 CM