



DVI



VGA (Dsub)



AC/DC adapter



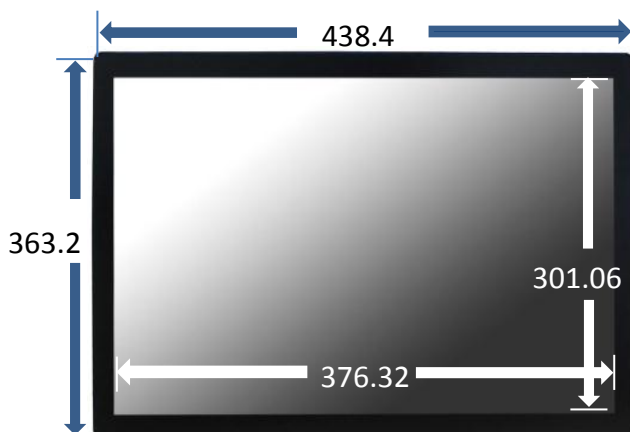
### Display Characteristics

Model No.	NTP190	Viewing Angle (L/R/U/D)	85°/85°/80°/80°
Screen Diagonal	482.6 mm (19.0 inch)	Response Time	5 msec
Display Area	376.32x301.06 mm	Backlight Unit	LED backlight
Pixel Pitch	0.294x0.294 um	Operation Temp.	0~50°C
Resolution	1280x1024	Display Ratio	4:3
Brightness	250 cd/m <sup>2</sup>	Surface Treatment	Anti-Glare
Contrast Ratio	1000:1	Panel Grade	A grade (0 bright dot)
Color	16.7M colors		

### General Specification

Speaker	2Wx2	Dimension	438.4x363.2x40
Wall Mount Holes	VESA standard	Net Weight	5.3kg
Housing Material	Galvanized Steel (SECC)	Other connectors	Audio-in
Display interface	VGA , DVI		

### Dimension



**Features :**

- ★ Projected Capacitive touch screen(10 points)
- ★ Easily touching the edge without obstruction.
- ★ Diverse Installing Options
- ★ Made in Taiwan
- ★ Matel enclosed cabinet



**Touch Specification**

Type	No Touch	Model No.	NTP1900
------	----------	-----------	---------

Type	Projected Capacitive	Model No.	NTP190B
Allowed touch points	10 points	Transparency	≥86%
Interface	USB	Hardness	≥7H
Operating Temp.	-30°C~70°C	Haze	≤2%
Minimun Distance Between 2 points : 27mm			

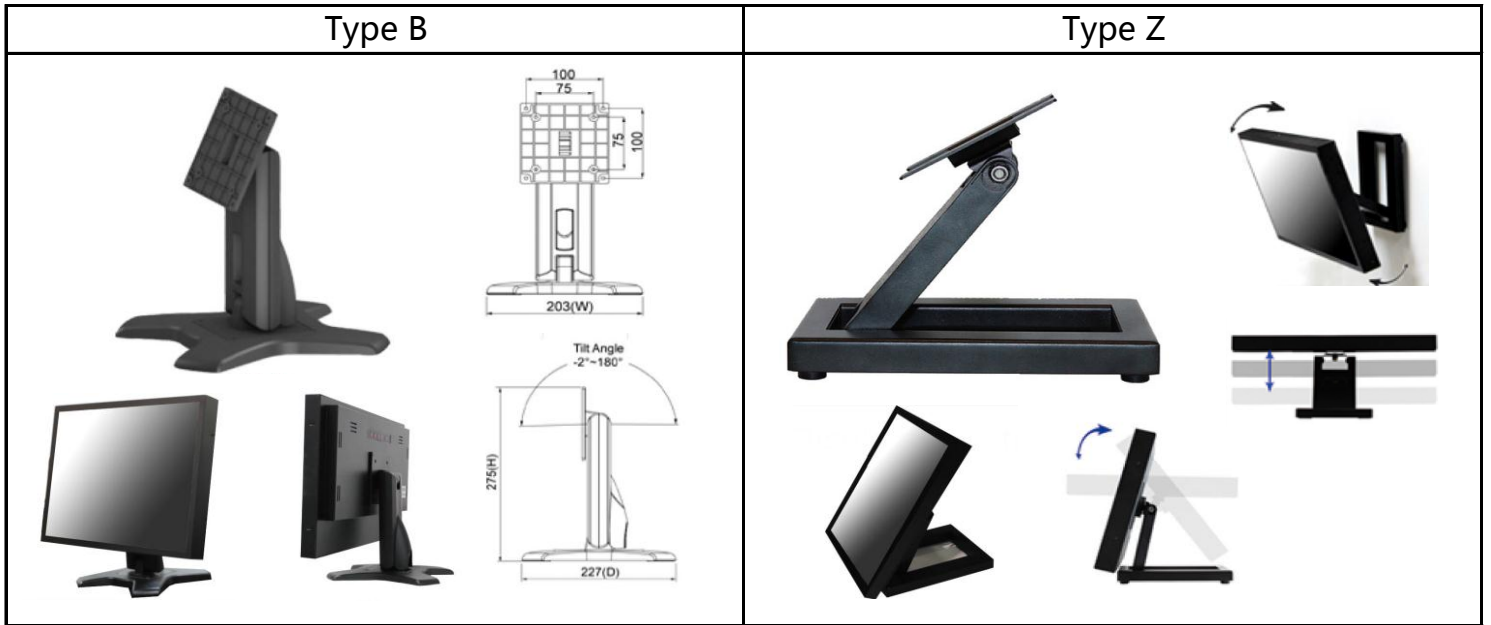
**Customized Options**

Brightness	1500 cd/m <sup>2</sup>	Surface Splash Proof	Option
Surface Protection	Tempered glass	Color	Any Color (MOQ requested)
Coating Film	AG/AR/AF	Panel Mount Bezel	Customized Option
Open-frame bracket	Option		

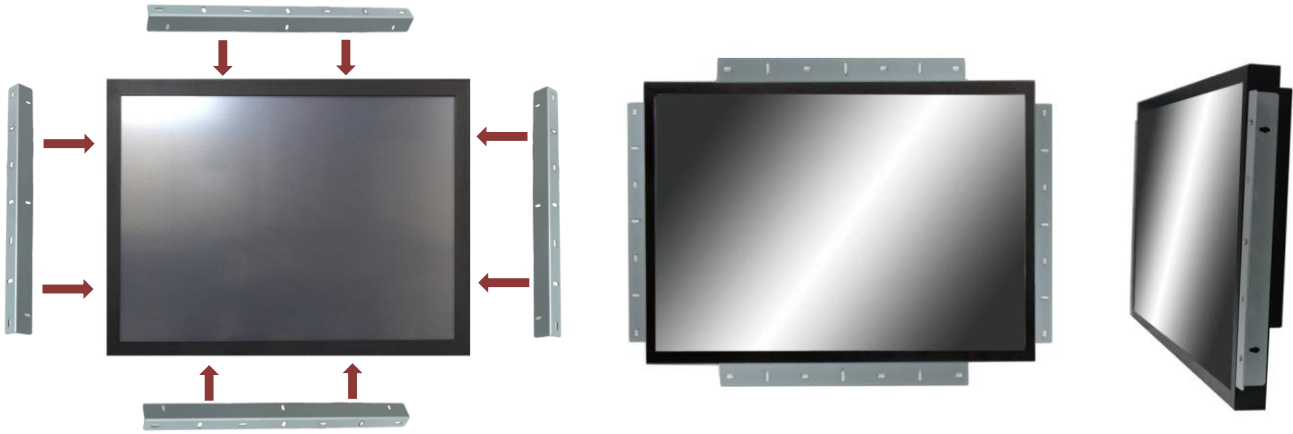
**Supported OS**

OS	Version
Windows	Win8, Win7 , Vista, XP, Embedded XP, Win2000, CE.NET 4.x ↑
Linux	Kernel 2.6.24 ↑
Android	3.0 ↑
Mac	10.5.x ↑ (Intel CPU)

Desktop Stand (option)



Open-frame Brackets (option)



Panel Mounted Bezel (customized option)

