



VGA (Dsub)



DVI



Adapter



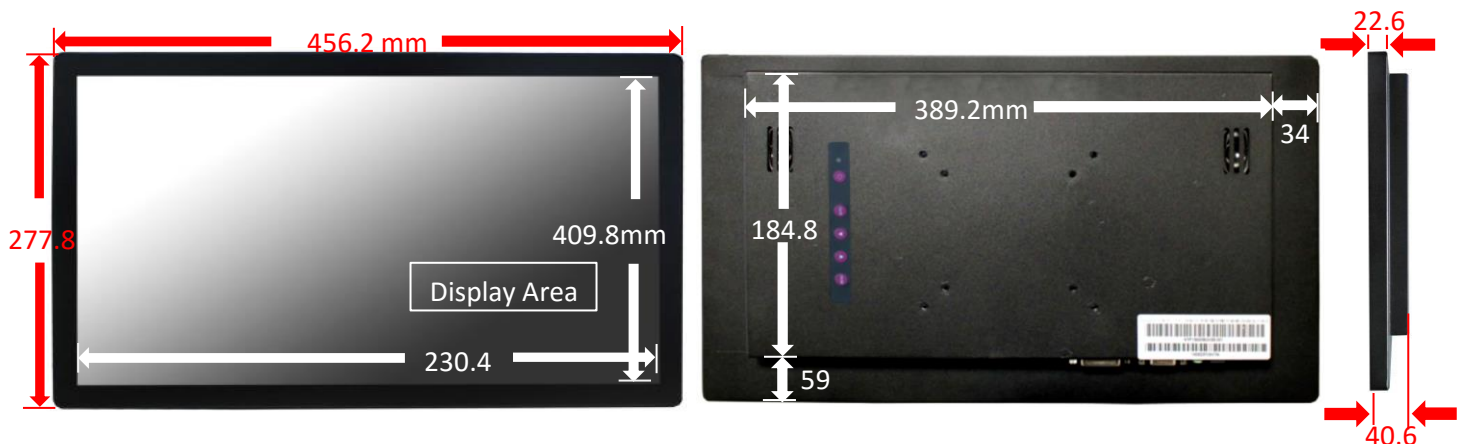
## Display Characteristics

|                 |                 |                     |                 |
|-----------------|-----------------|---------------------|-----------------|
| Model No.       | NTP185          | Resolution          | 1920x1080 (FHD) |
| Screen Diagonal | 469.16 mm       | Brightness          | 350 nits        |
| Color           | 16.7M Colors    | Contrast Ratio      | 1000:1          |
| Display Area    | 408.96x230.4 mm | Viewing Angle (L/R) | 178° (CR=10)    |
| Pixel Pitch     | 0.213x0.213 mm  | Viewing Angle (U/D) | 178° (CR=10)    |
| Display Ratio   | 16:9            | Response Time       | 20 msec         |
| Backlight Unit  | LED             | Operating Temp.     | -20~70°C        |

## General Specification

|                   |                    |                  |                     |
|-------------------|--------------------|------------------|---------------------|
| Speaker           | 2Wx2               | Dimension        | 456.2x277.8x40.6 mm |
| Wall Mount Holes  | 75x75 & 100x100 mm | Net Weight       | 4 KG                |
| Housing Material  | Galvanized Steel   | Gross Weight     | 5 KG                |
| Display interface | VGA/DVI            | Other connectors | Audio-in, DC-in     |

## Dimension



**Features :**

- ★ Projected Capacitive touch screen(10 points)
- ★ Easily touching the edge without obstruction.
- ★ Diverse Installing Options
- ★ Made in Taiwan
- ★ Matel enclosed cabinet



**Touch Specification**

|                      |                            |                    |         |
|----------------------|----------------------------|--------------------|---------|
| Type                 | No Touch                   | Model No.          | NTP1850 |
| Type                 | Projected Capacitive       | Model No.          | NTP185B |
| Allowed touch points | 10 point                   | Transparency       | ≥85%    |
| Operating Temp.      | -30°C~70°C                 | Hardness           | ≥7H     |
| Interface            | USB (typ.) / RS-232 (opt.) | Thickness of glass | 2.5 mm  |

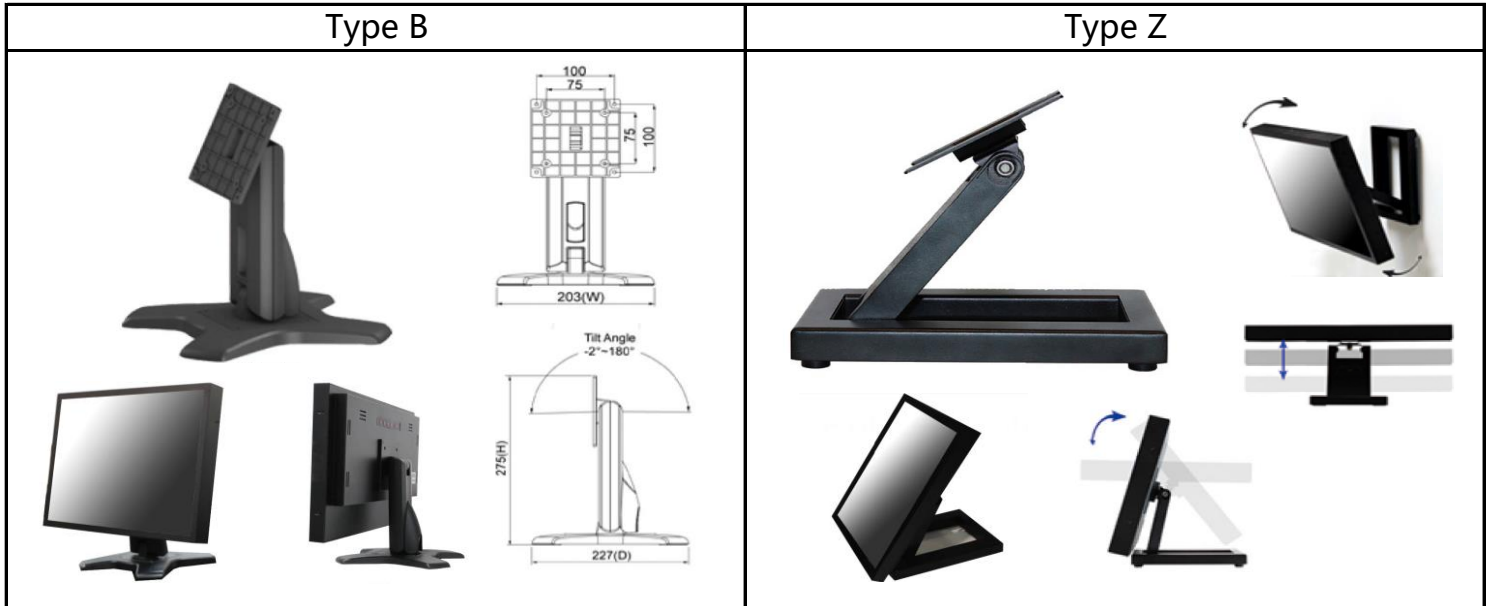
**Customized Options**

|                    |                        |                      |                           |
|--------------------|------------------------|----------------------|---------------------------|
| Brightness         | 1000 cd/m <sup>2</sup> | Surface Splash Proof | Option                    |
| Surface Protection | Tempered glass         | Color                | Any Color (MOQ requested) |
| Coating Film       | AG/AR/AF               | Panel Mount Bezel    | Customized Option         |
| Open-frame bracket | Option                 | Webcam               | Option (3M pixels)        |

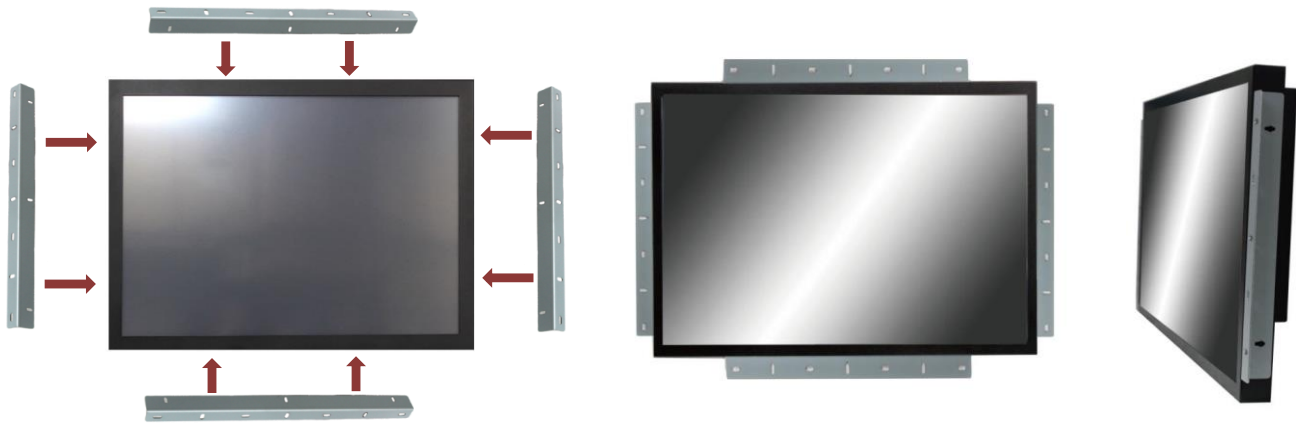
**Supported OS**

| OS      | Version  |
|---------|--|
| Windows | Win8, Win7 , Vista, XP, Embedded XP, Win2000, CE.NET 4.x ↑ |
| Linux   | Kernel 2.6.24 ↑  |
| Android | 3.0 ↑  |
| Mac     | 10.5.x ↑ (Intel CPU)                                       |

Desktop Stand (option)



Open-frame Brackets (option)



Panel Mounted Bezel (customized option)

