



VGA (Dsub)



HDMI



Adapter



### Display Characteristics

Model No.	NTP173	Resolution	1920x1080 (Full-HD)
Screen Diagonal	17.3 inch	Brightness	400 cd/m <sup>2</sup>
Color	16.7M Colors	Contrast Ratio	600:1
Display Area	381.9x214.8 mm	Viewing Angle (L/R)	80°/80° (CR=10)
Display Ratio	16:9	Viewing Angle (U/D)	60°/80° (CR=10)
Backlight Unit	LED	Response Time	40 msec
Operating Temp.	-0-70°C	Surface Treatment	AG coating

### General Specification

Speaker	2Wx2	Dimension	419x261x47 mm
Wall Mount Holes	75x75 & 100x100 mm	Net Weight	3.6 KG
Housing Material	Galvanized Steel	Gross Weight	4.6 KG
Display interface	VGA & HDMI	Other connectors	Audio-in, DC-in

### Dimension



**Features :**

- ★ Projected Capacitive touch screen(4 points)
- ★ Easily touching the edge without obstruction.
- ★ Diverse Installing Options
- ★ Made in Taiwan
- ★ Matel enclosed cabinet



**Touch Specification**

Type	No Touch	Model No.	NTP1730
Type	Projected Capacitive	Model No.	NTP173G
Allowed touch points	4 point	Transparency	≥85%
Operating Temp.	-20°C~70°C	Hardness	≥6H
Interface	USB (typ.)		

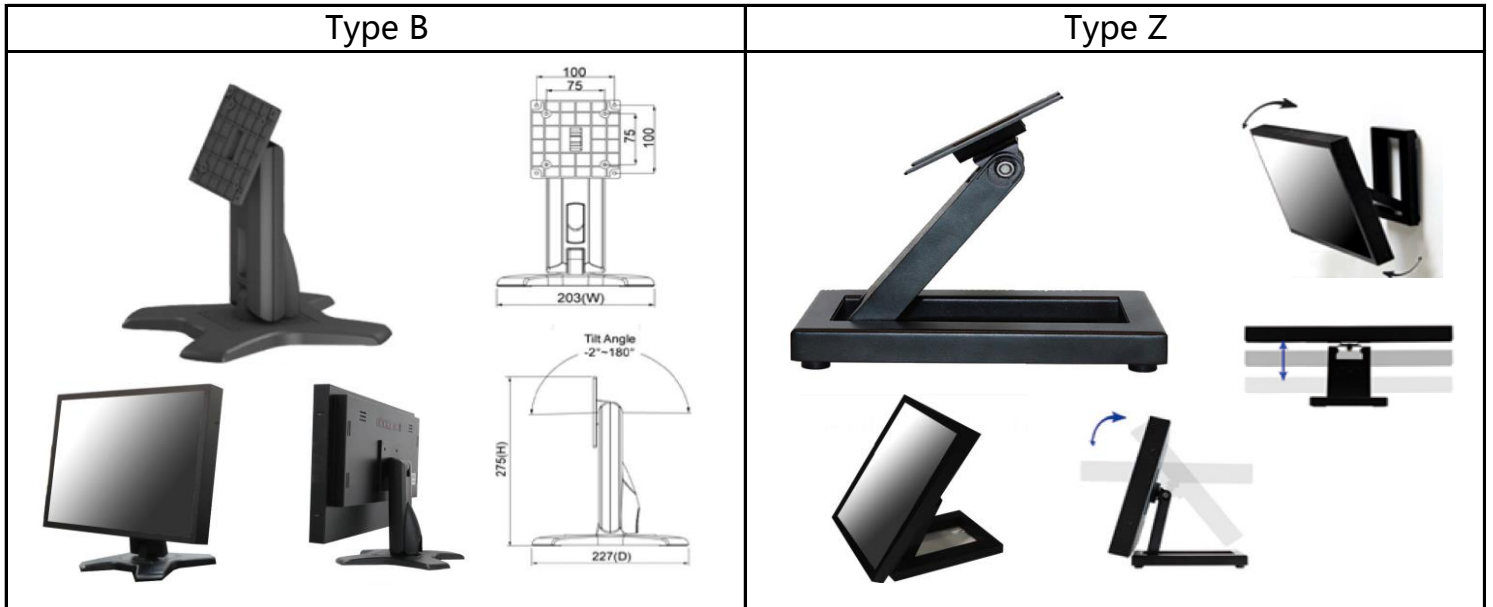
**Customized Options**

Brightness	1000 cd/m <sup>2</sup>	Surface Splash Proof	Option
Surface Protection	Tempered glass	Color	Any Color (MOQ requested)
Coating Film	AG/AR/AF	Panel Mount Bezel	Customized Option
Open-frame bracket	Option		

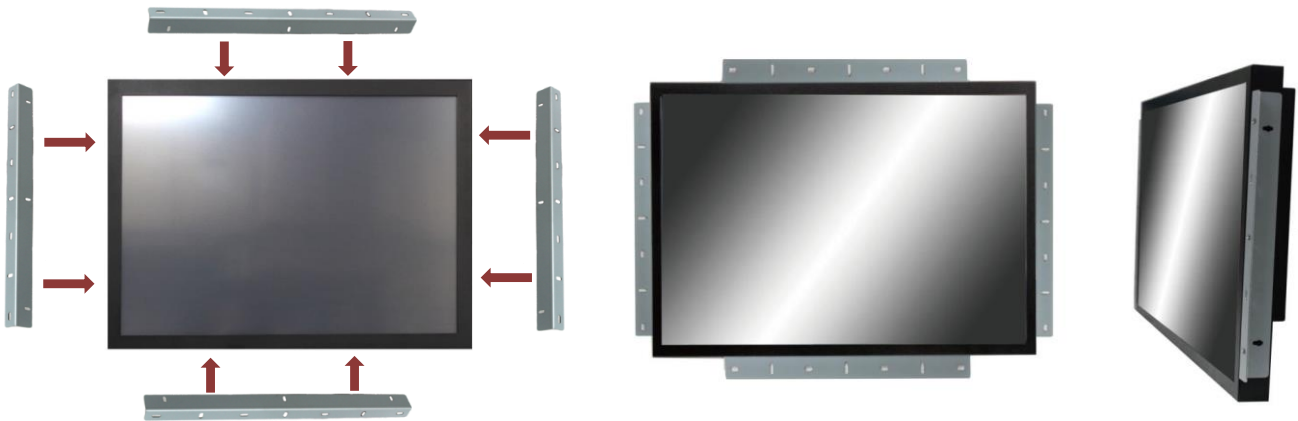
**Supported OS**

OS	Version
Windows	Win8, Win7 , Vista, XP, Embedded XP, Win2000, CE.NET 4.x ↑
Linux	Kernel 2.6.24 ↑
Android	3.0 ↑
Mac	10.5.x ↑ (Intel CPU)

Desktop Stand (option)



Open-frame Brackets (option)



Panel Mounted Bezel (customized option)

