



VGA (Dsub)



DVI



Adapter



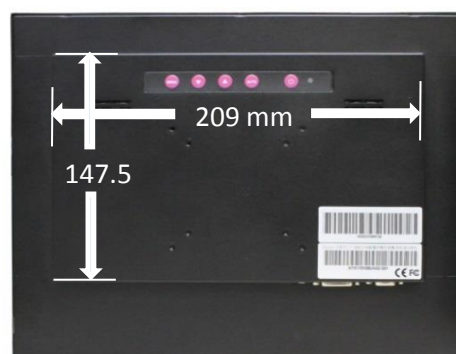
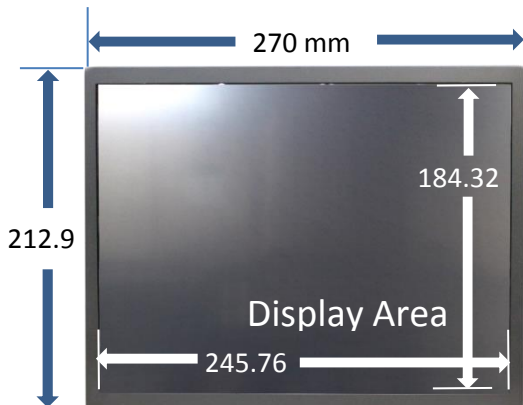
Display Characteristics

Model No.	NTM121	Resolution	1024x768 (XGA)
Screen Diagonal	12.1 inch	Brightness	500 cd/m <sup>2</sup>
Active Area	245.76x184.32 mm	Contrast Ratio	700:1
Support Color	16.2M Color	Viewing Angle (L/R)	160° (CR=10)
Display Ratio	4:3	Viewing Angle (U/D)	140° (CR=10)
Backlight Unit	LED	Response Time	11 msec
Operating Temp.	-30~70°C	Surface Treatment	Anti-glare, Hardness 3H

General Specification

Speaker	2Wx2	Dimension	270x212.9x39.9 mm
Wall Mount Holes	75x75 mm	Net Weight	2.5 KG
Housing Material	Galvanized Steel	Gross Weight	3.5 KG
Display interface	VGA & DVI	Other connectors	Audio-in, DC-in

Dimension



**Features :**

- ★ LED backlight
- ★ Metal enclosed cabinet
- ★ Diverse Installing Options
- ★ Made in Taiwan
- ★ Allowed customized design



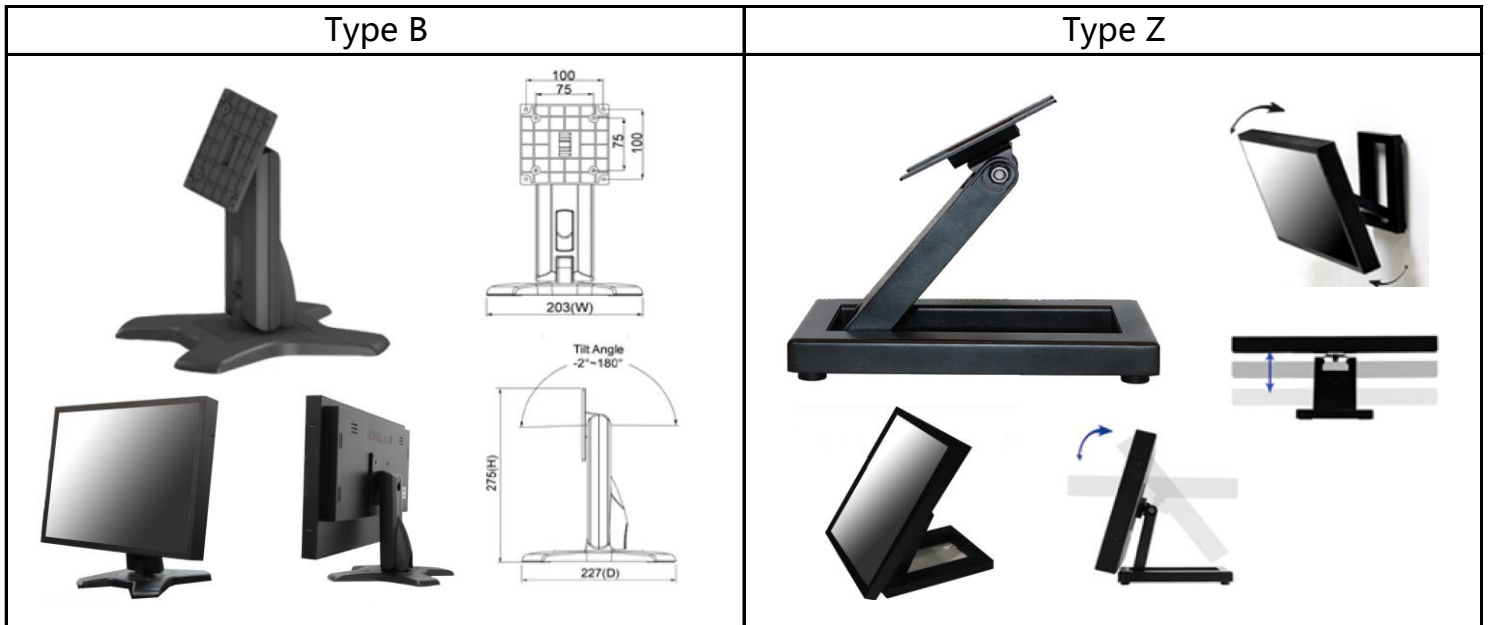
**Touch Specification (option)**

Type	No Touch	Model No.	NTM1210
Type	Projected Capacitive	Model No.	NTM121Y
Allowed touch points	10 point	Precision	2.5mm ±10%
Transparency	≥85%	Hardness	≥7H
Surface Treatment	none	Interface	USB
Type	Resistive	Model No.	NTM1215
Pressure Sensitive	50 g	Precision	98.5%
Transparency	80% ±5%	Hardness	≥3H
Surface Treatment	Anti-glare : <15%	Interface	USB (typ.) / RS-232 (opt.)
Type	Surface Capacitive	Model No.	NTM121C
Allowed touch points	1 point	Precision	99%
Transparency	≥92% ±3%	Hardness	≥9H
Surface Treatment	Anti-glare : <7%	Interface	USB (typ.) / RS-232 (opt.)

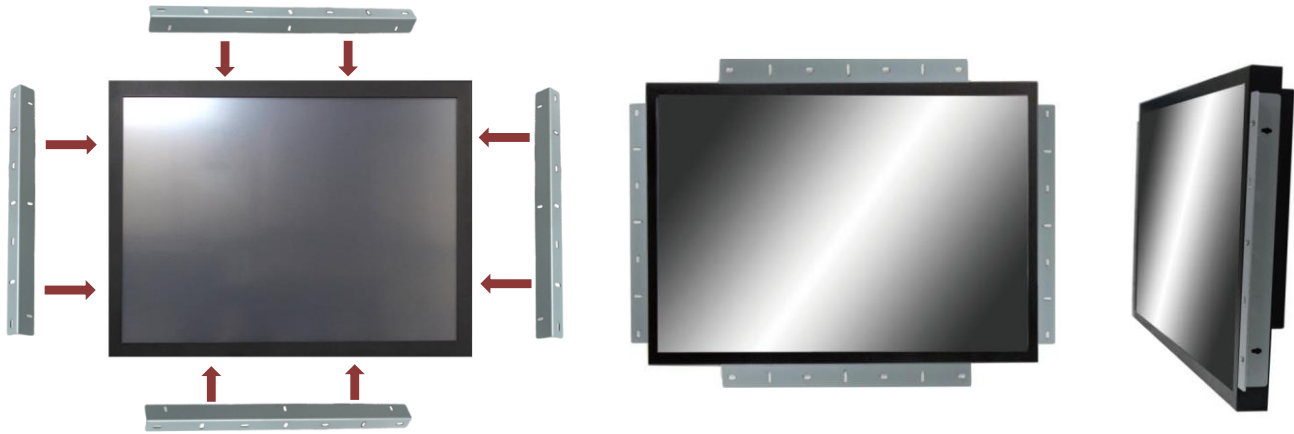
**Other Customized Options**

Brightness	1500 cd/m <sup>2</sup>	Surface Splash Proof	Option
Surface Protection	Tempered glass	Color	Any Color (MOQ requested)
Coating Film	AG/AR/AF	Viewing angle	Wide Viewing Angle
Open-frame bracket	Option	Panel Mount Bezel	Customized Option

Desktop Stand (option)



Open-frame Brackets (option)



Panel Mounted Bezel (customized option)

