

Fanless Embedded Box PC with Intel® Skylake-U
Core®i5-6200U/Celeron 3955U Processor and 10 USB Ports



Features

- Intel® Core® i5-6200U Processor (2.3 GHz) / Celeron® 3955U (2.0 GHz)
- 10 USB and 4 COM ports
- Support 2 M.2 (E key & B key) and 1 Mini PCIe
- -20~70° C Operation Temp.
- Support Desktop, VESA and DIN Rail Mount

Applications

- Embedded Control Systems
- Energy Management
- Intelligent Factory / Industrial 4.0
- Robotic and Automatic
- Retail/ Kisok /Smart Lockers

→ Packing List

Description
1 x BPC-3070
1 x Driver CD
1 x Power Adapter (AC-to-DC, 12 V @ 5.2 A, 65 W)
1 x Desktop/VESA Mounting Kits

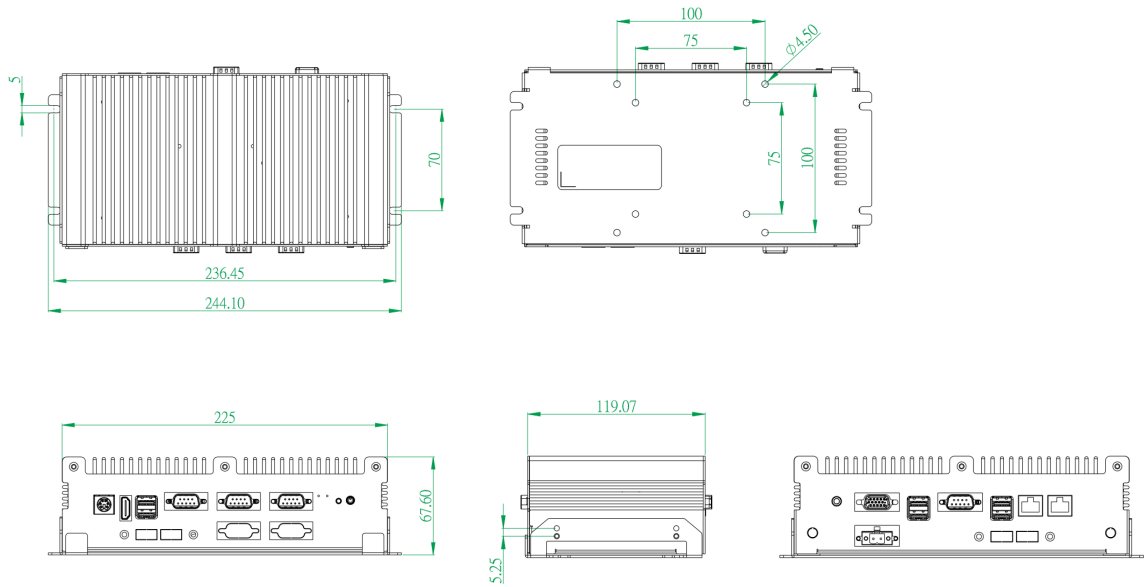
→ Optional Items

Part No.	Description
ACS-PS-US	Power Cable 3-pin, 180 cm, USA Type
ACS-PS-EU	Power Cable 3-pin, 180 cm, Euro Type
ACS-PS-CN	Power Cable 3-pin, 180 cm, China Type
ACS-KIT-DIN	DIN Rail Mounting Kits

→ Ordering Information

Part No.	Description
BPC-3070-1A1	Intel® Core® i5-6200U 2.3 GHz w/ 4 COM, 6 USB, 2 GbE, Line out, 1 VGA, 1 HDMI, PS/2
BPC-3070-2A1	Intel® Core® i5-6200U 2.3 GHz w/ 4 COM, 10 USB, 2 GbE, Line out, 1 VGA, 1 HDMI, PS/2
BPC-3070-3A1	Intel® Celeron® 3955U 2.0 GHz w/ 6 COM, 6 USB, 2 GbE, Line out, 1 VGA, 1 HDMI, PS/2

→ Dimensions



→ Specifications

Model		BPC-3070-1A1	BPC-3070-2A1	BPC-3070-3A1
Processor System	CPU	Intel® Core™ i5 6200U Processor		Intel® Celeron® Processor 3955U
	Frequency	2.3 GHz / 2.8 GHz (Boost) 2 Cores / 4 Threads		2.0 GHz, 2 Cores / 2 Threads
	L2 Cache	3 MB		2 MB
	System Chipset	N/A		
	BIOS	UEFI		
Memory	Technology	Single channel DDR4 2133 MHz SDRAM		
	Capacity	On board 4GB		
	Socket	N/A		
Display	Graphics Engine	Intel® HD 520 Graphics		
	VGA	Up to 1920 x 1200		
	HDMI	HDMI 1.4a, 4096 x 2304max. resolution		
	Dual Display	VGA + HDMI		
I/O Interface	USB	4 USB 3.0, 2 USB 2.0	8 USB 3.0, 2 USB 2.0	4 USB 3.0, 2 USB 2.0
	Serial Port	3 RS-232/485 1 RS/232/422/485		1RS-232/422/485, 5 RS-232/485
	GPIO	8Bit (Optional)		
	PS/2	1		
Ethernet	Controller	Dual GbE, Intel i211, 10/100/1000 Mbps		
Audio	Chipset	Realtek ALC269 High Definition Audio (HD)		
	Connectors	Line out		
Expansion	M.2	1 2242 B.key (SATA/PCIe & USB2.0 & SIM slot) 1 2230 E.Key (PCIe, USB2.0)		
	Mini PCIe	1 full-size w/SIM socket	N/A	1 full-size w/ SIM socket
Storage	SATAII	1 (2.5" HDD/SSD)		
Power	Power Type	AT / ATX		
	Power Supply Voltage	12-28 V DC input (Phoenix Connector), 6.7-1.7 A		
	Power Consumption (Typical)	2.2 A @ 12 V (24.35 W)	2.2 A @ 12 V (24.35 W)	2.2 A @ 12 V (24.35 W)
	Power Consumption (Max)	3.18 A @ 12 V (37.6 W)	6.38 A @ 12 V (71.8 W)	3.18 A @ 12 V (37.6 W)
Environment	Operational	-20~70° C (-4~158° F) w/ 2.5" SSD (Humidity: 60° C @ 80% RH Non-condensing)		
	Non-Operational	-40~85° C (-40~185° F) (Humidity: 60° C @ 95% RH Non-condensing)		
	Vibration	5 Grms, IEC 60068-2-64, random, 5~500 Hz, 1 Oct/min., 1hr/axis, x, y, z 3 axes (w/ SSD only) 1 Grms, IEC 60068-2-64, random, 5~500 Hz, 1 Oct/min., 1hr/axis, x, y, z 3 axes (w/ 2.5" HDD) 50 G, IEC		
	Shock	60068-2-27, half sine, 11 ms duration (w/ SSD only) 20 G, IEC 60068-2-27, half sine, 11 ms duration (w/ 2.5" HDD)		
Certificate	Certification	CE, FCC Class A		
General	Dimensions (W x H x D)	225 x 67.6 x 105 mm (8.86" x 2.66" x 4.13")		
	Weight	2.13 kg (4.70 lb)	2.63kg (5.8 lb)	2.30 kg (5.07 lb)
	Operating System	Windows 7/8.1/10, WES7-E/P, WE8S		