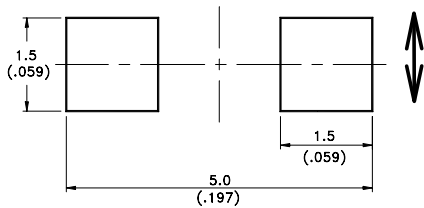
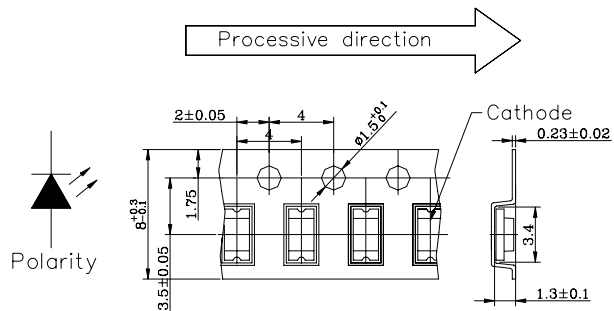


◆Recommended Soldering Pad



Direction of PWB Camber and go to Re-Flow furnace.



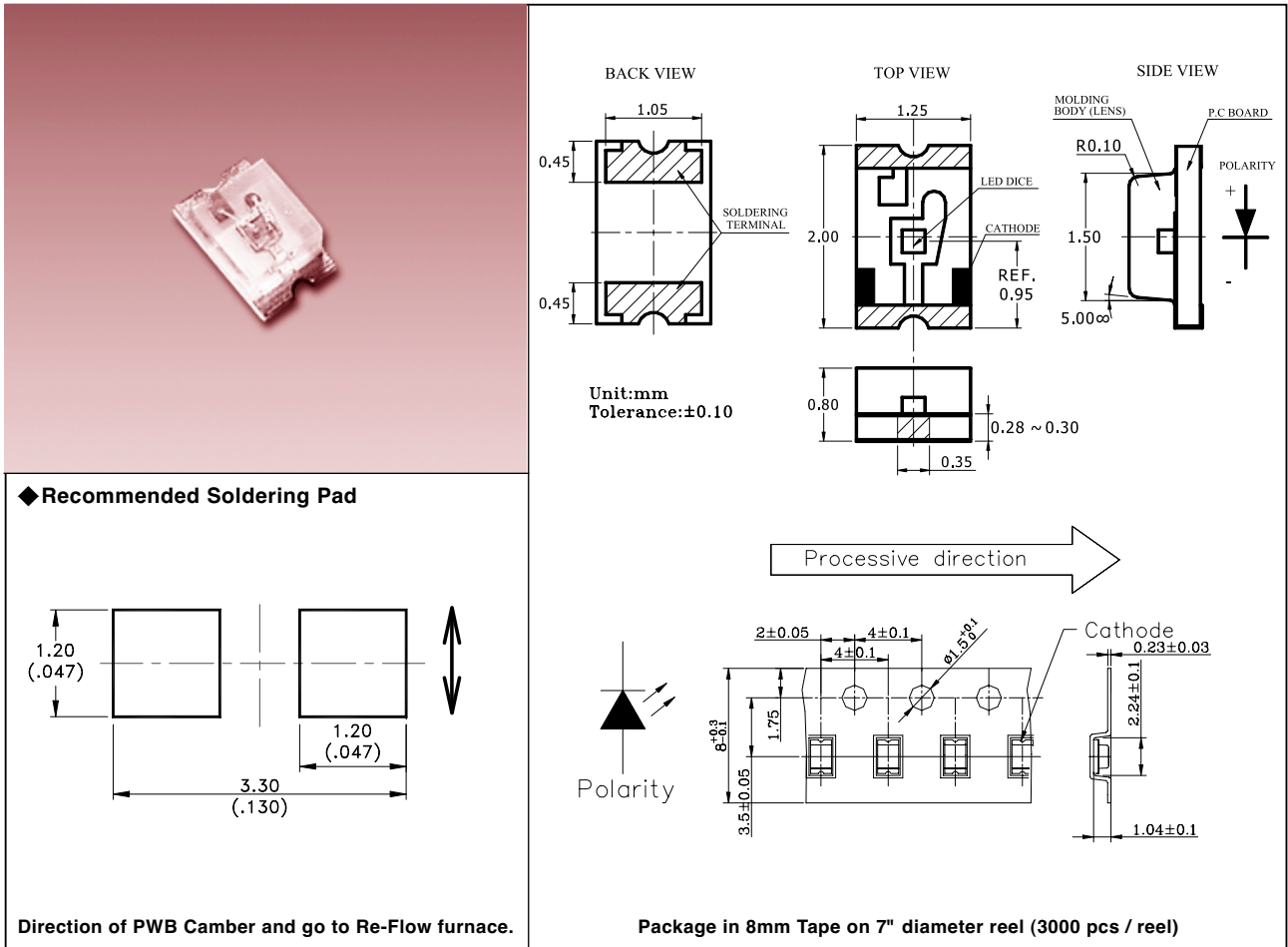
Package in 8mm Tape on 7" diameter reel (3000 pcs / reel)

◆Electrical / Optical Characteristics (Ta=25°C)

Part No.	Chip Material	Emitting Color	Lens Color	View Angle	λ _D (nm)	λ _P (nm)	Reverser Current I _R	Forward Voltage V _F (V)		Luminous Intensity I _v (mcd)	
							V _R =5V Max.	@20mA (5mA) Typ. Max.	@20mA (5mA) Min. Typ.	@20mA (5mA) Min. Typ.	
L-C150GCT	GaP	Green	Water Clear	130°	570	568	100	2.1	2.6	4.0	12.5
L-C150ECT	GaAsP/GaP	Orange			620	630	100	2.1	2.6	2.5	6.3
L-C150YCT	GaAsP/GaP	Yellow			588	585	100	2.1	2.6	1.6	4.5
L-C150SRCT	GaAlAs	Red			643	655	100	1.8	2.2	10.0	20.0
L-C150KGCT	AlInGaP	Super Green			570	571	100	2.0	2.4	16.0	30.0
L-C150KRCT	AlInGaP	Super Red			631	639	100	2.0	2.4	16.0	40.0
L-C150KFCT	AlInGaP	Super Amber			605	611	100	2.0	2.4	40.0	80.0
L-C150KYCT	AlInGaP	Super Yellow			590	591	100	2.0	2.4	25.0	60.0
L-C150TBCT (5mA)	InGaN	Blue			(470)	(468)	50	(2.8)	(3.1)	(6.3)	(16.0)
L-C150LBCT	InGaN	Blue			470	468	50	3.3	3.8	25.0	40.0

FEATURES

1. Top view & wide view angle chip LED.
2. High brightness & low current drive.
3. Compatible with automatic pick & place equipment.
4. Single color, Application for :
Keypad Backlighting / LCD Backlighting / Symbol Backlighting / Front Panel Indicator ping.
5. EIA STD package.

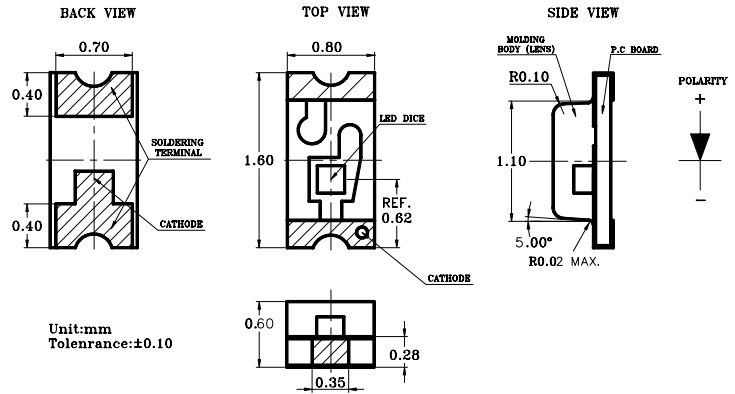


◆Electrical / Optical Characteristics (Ta=25°C)

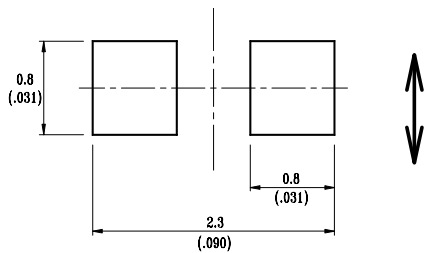
Part No.	Chip Material	Emitting Color	Lens Color	View Angle	λ _D (nm)	λ _P (nm)	Reverser Current I _R	Forward Voltage V _F (V)		Luminous Intensity I _v (mcd)	
							V _R =5V Max.	@20mA (5mA) Typ. Max.	@20mA (5mA) Min. Typ.		
L-C170GCT	GaP	Green	Water Clear	130°	570	568	100	2.1	2.6	4.0	12.5
L-C170ECT	GaAsP/GaP	Orange			620	630	100	2.1	2.6	2.5	6.3
L-C170YCT	GaAsP/GaP	Yellow			588	585	100	2.1	2.6	1.6	4.5
L-C170SRCT	GaAlAs	Red			643	655	100	1.8	2.2	10.0	20.0
L-C170KGCT	AlInGaP	Super Green			570	571	100	2.0	2.4	16.0	30.0
L-C170KRCT	AlInGaP	Super Red			631	639	100	2.0	2.4	16.0	40.0
L-C170KFCT	AlInGaP	Super Amber			605	611	100	2.0	2.4	40.0	80.0
L-C170KYCT	AlInGaP	Super Yellow			590	591	100	2.0	2.4	25.0	60.0
L-C170TBCT(5mA)	InGaN	Blue			(470)	(468)	50	(2.8)	(3.1)	(6.3)	(16.0)
L-C170LBCT	InGaN	Blue			470	468	50	3.3	3.8	25.0	40.0

FEATURES

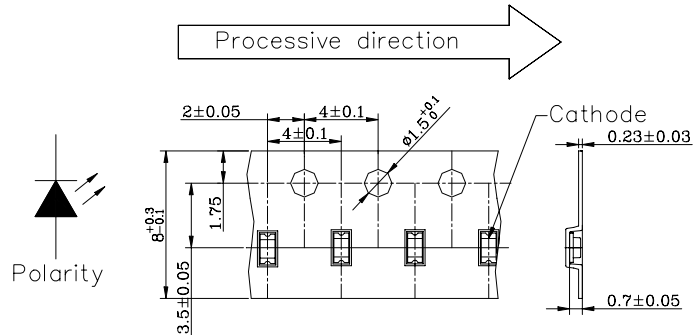
1. Top view & wide view angle chip LED.
2. High brightness & low current drive.
3. Compatible with automatic pick & place equipment.
4. Single color, Application for :
Keypad Backlighting / LCD Backlighting / Symbol Backlighting / Front Panel Indicator ping.
5. EIA STD package.



◆ Recommended Soldering Pad



Direction of PWB Camber and go to Re-Flow furnace.



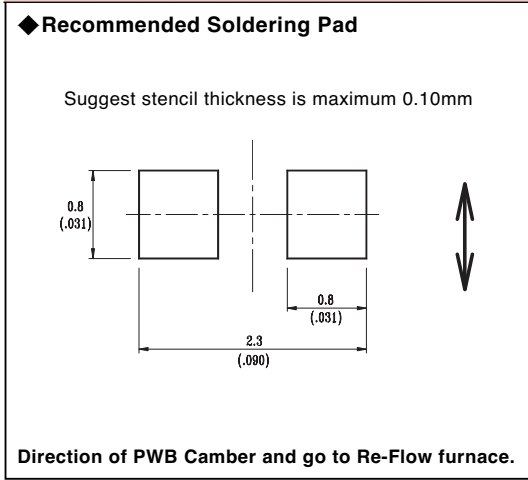
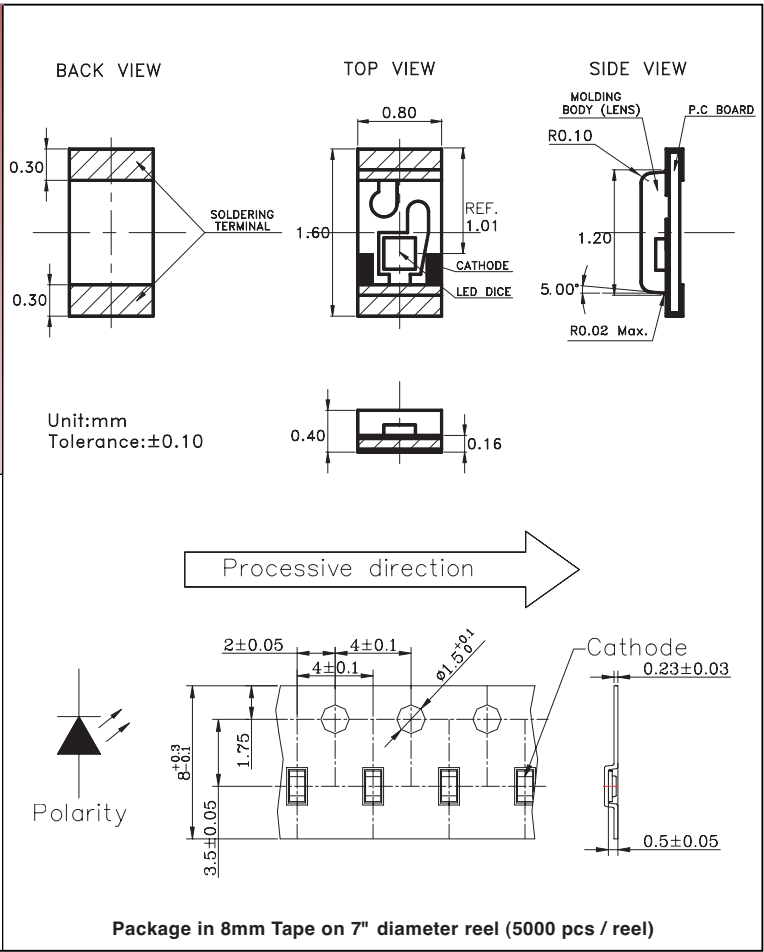
Package in 8mm Tape on 7" diameter reel (4000 pcs / reel)

◆ Electrical / Optical Characteristics (Ta=25°C)

Part No.	Chip Material	Emitting Color	Lens Color	View Angle	λ _D (nm)	λ _P (nm)	Reverser Current I _R	Forward Voltage V _F (V)		Luminous Intensity I _v (mcd)	
							V _R =5V Max.	@20mA (5mA) Typ. Max.	Max.	Min.	Typ.
L-C191GCT	GaP	Green	Water Clear	130°	570	568	100	2.1	2.6	4.0	12.5
L-C191ECT	GaAsP/GaP	Orange			620	630	100	2.1	2.6	2.5	6.3
L-C191YCT	GaAsP/GaP	Yellow			588	585	100	2.1	2.6	1.6	4.5
L-C191KGCT	AlInGaP	Super Green			570	571	100	2.0	2.4	16.0	30.0
L-C191KRCT	AlInGaP	Super Red			631	639	100	2.0	2.4	16.0	40.0
L-C191KFCT	AlInGaP	Super Amber			605	611	100	2.0	2.4	40.0	80.0
L-C191KYCT	AlInGaP	Super Yellow			590	591	100	2.0	2.4	25.0	60.0
L-C191TBCT(5mA)	InGaN	Blue			(470)	(468)	50	(2.8)	(3.1)	(6.3)	(16.0)
L-C191LBCT	InGaN	Blue			470	468	50	3.3	3.8	25.0	40.0

FEATURES

1. Top view & wide view angle chip LED.
2. High brightness & low current drive.
3. Compatible with automatic pick & place equipment.
4. Single color, for cellular phone keypad and LCD backlight.
5. EIA STD package.



◆ **Electrical / Optical Characteristics (Ta=25°C)**

Part No.	Chip Material	Emitting Color	Lens Color	View Angle	λ _D (nm)	λ _P (nm)	Reveres Current I _R	Forward Voltage V _F (V)		Luminous Intensity I _v (mcd)	
							V _R =5V Max.	@20mA (5mA) Typ.	Max.	Min.	Typ.
L-C192KGCT	AlInGaP	Super Green	Water Clear	130°	570	571	100	2.0	2.4	16.0	30.0
L-C192KRCT	AlInGaP	Super Red			631	639	100	2.0	2.4	16.0	40.0
L-C192KFCT	AlInGaP	Super Amber			605	611	100	2.0	2.4	40.0	80.0
L-C192KYCT	AlInGaP	Super Yellow			590	591	100	2.0	2.4	25.0	60.0
L-C192TBCT(5mA)	InGaN	Blue			(470)	(468)	50	(2.8)	(3.1)	(6.3)	(16.0)
L-C192LBCT	InGaN	Blue			470	468	50	3.3	3.8	25.0	40.0

FEATURES

1. Single color, Super Thin 0603 0.4T package.
2. Top view & wide view angle chip LED.
3. High brightness & low current drive.
4. Compatible with automatic pick & place equipment.
5. Cellular phone keypad and LCD backlighting.
6. Thin touch button LED backlighting / Membrane Switch Indicator.
7. EIA STD package.