



Product Specifications





| | |
|-------------|-----------|
| Customer : | |
| Model No. : | NTM170 V2 |

Features :



- ★ 17" 5:4 ,1280x1024 (SXGA) Resolution
- ★ 5-Wire Resistive / Surface Capacitive Touch Options
- ★ 3 Years Warranty
- ★ Survivable in All Environments
- ★ High Brightness Options
- ★ AG/AR/AF Film Options
- ★ All Kind of Connector Options (VGA/DVI/HDMI/DP)
- ★ Metal Cabinet with Diverse Installing Options



| | | | |
|---|--|---|---|
|  |  |  |  |
| BSMI | CE | FCC | RoHS |
| Compliance | | | |

| Records of Revision | | | |
|---------------------|-----------|-----------------|-----------------|
| Vision | Modifying | Old Description | New Description |
| v1612.1 | Revision | | |
| | | | |
| | | | |
| | | | |
| | | | |
| | | | |

Display Specifications

General Specifications

| | | | |
|-----------------|----------------------|-------------------------|-------------------------|
| Full Model No. | NTM170XXXXXXX-002 | Support Color | 16.7M Color |
| Abbreviation | NTM170XX V2 | Pixel Pitch | 0.264x0.264 mm |
| Screen Diagonal | 432 mm (17.0 inch) | Response Time | 5 msec |
| Display Area | 337.9x270.3 mm | Backlight Unit | LED (white LED) |
| Resolution | 1280x1024 (SXGA+) | Viewing Angle (L/R,U/D) | 170° / 160° (TN) |
| Brightness | 250 nits *(Optional) | Operating Temp. | 0-50°C |
| Contrast Ratio | 1000:1 | Surface Treatment | Anti-glare, Hardness 3H |
| Display Ratio | 5:4 | | |

Brightness Options

| Item | Brightness | Model No. |
|------------|------------|--------------------|
| Standard | 250 nits | NTM170XXXXXNXX-002 |
| Industrial | 350 nits | NTM170XXXXX3XX-002 |
| Enhanced | 1000 nits | NTM170XXXXXAXX-002 |

Display Input Options

| Item | Connectors | Model No. |
|----------|--------------|-------------------|
| Standard | VGA+DVI | NTM170XXXXXXG-002 |
| Option1 | VGA+DVI+HDMI | NTM170XXXXXX7-002 |
| Option2 | VGA+HDMI+DP | NTM170XXXXXX3-002 |

Power Input Options

| Power Input | Connector | Model No. |
|-------------------|----------------------------|-----------|
| DC 12V (Standard) | DC Jack 2.5 φ with Adapter | |



Fan Options

| Item | Description | Model No. |
|----------|-------------|-----------|
| Standard | Fanless | |

Touch Specifications

Non-touch Model

| | | |
|----------------|------------------|--|
| Full Model No. | NTM1700XXXXX-002 | |
|----------------|------------------|--|

Resistive Touch Model

| | | | |
|----------------------|------------------------|-------------------|-----------------|
| Full Model No. | NTM1705XXXXX-002 | Transparency | 80% ±5% |
| Touch Screen | 5 Wire Resistive Touch | Precision | 98.50% |
| Allowed touch points | 1 point | Surface Treatment | Anit-glare <15% |
| Interface | USB or RS232 | Hardness | ≥3H |

Surface Capacitive Touch Model

| | | | |
|----------------------|--------------------|-------------------|----------------|
| Full Model No. | NTM170CXXXXX-002 | Transparency | ≥92% ±3% |
| Touch Screen | Surface Capacitive | Precision | 99.00% |
| Allowed touch points | 1 point | Surface Treatment | Anit-glare <7% |
| Interface | USB or RS232 | Hardness | ≥9H |

Surface Film Options

| | | | |
|-----|--------------------------|----|-----------------|
| AG | Anti-Glare | AR | Anti-Reflective |
| AFP | Anti-Fouling/FingerPrint | AS | Anti-Spy |

Display Control Options

| | | |
|-----|----------------------------|--|
| OSD | Physical button (standard) | |
|-----|----------------------------|--|



Physical Specifications

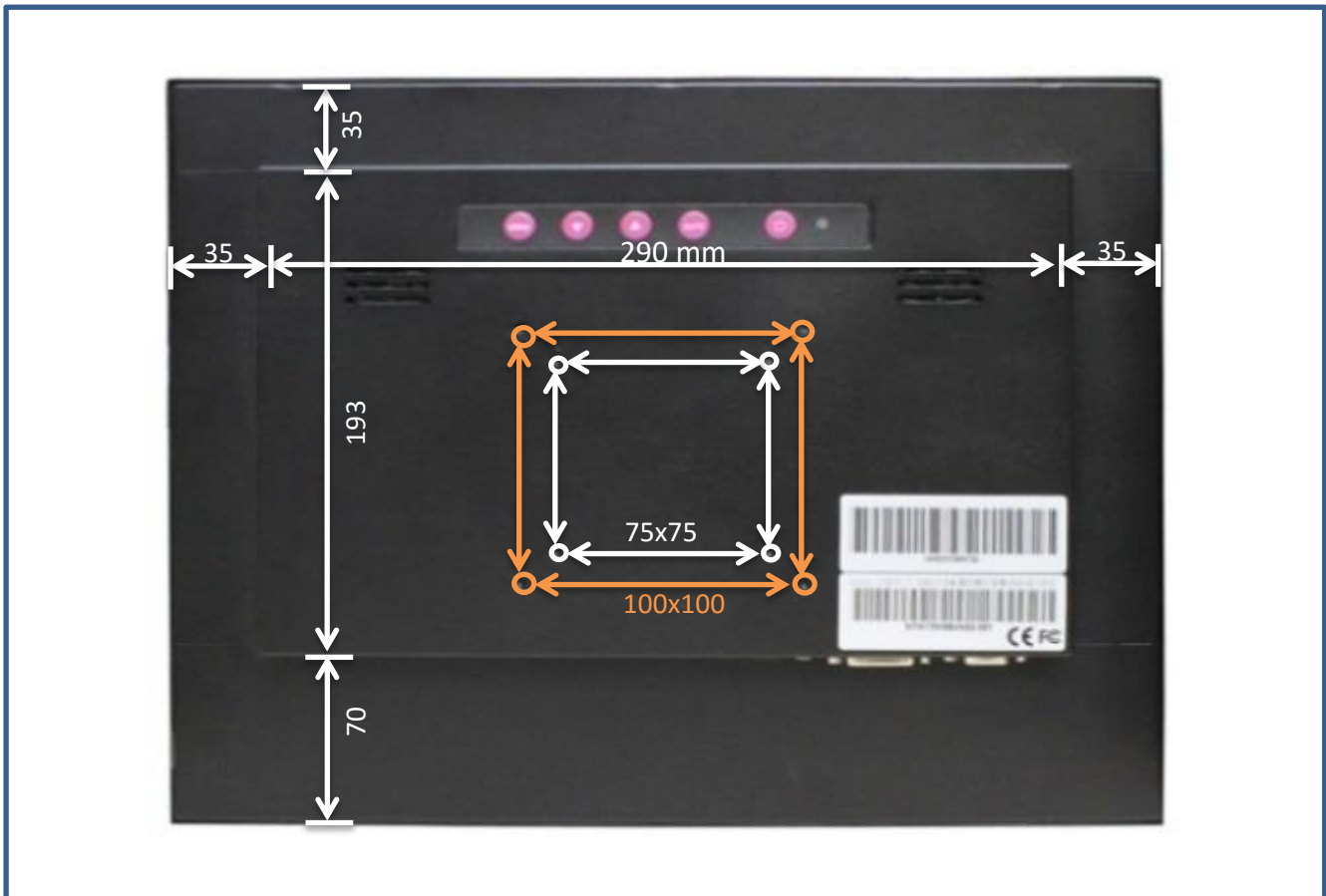
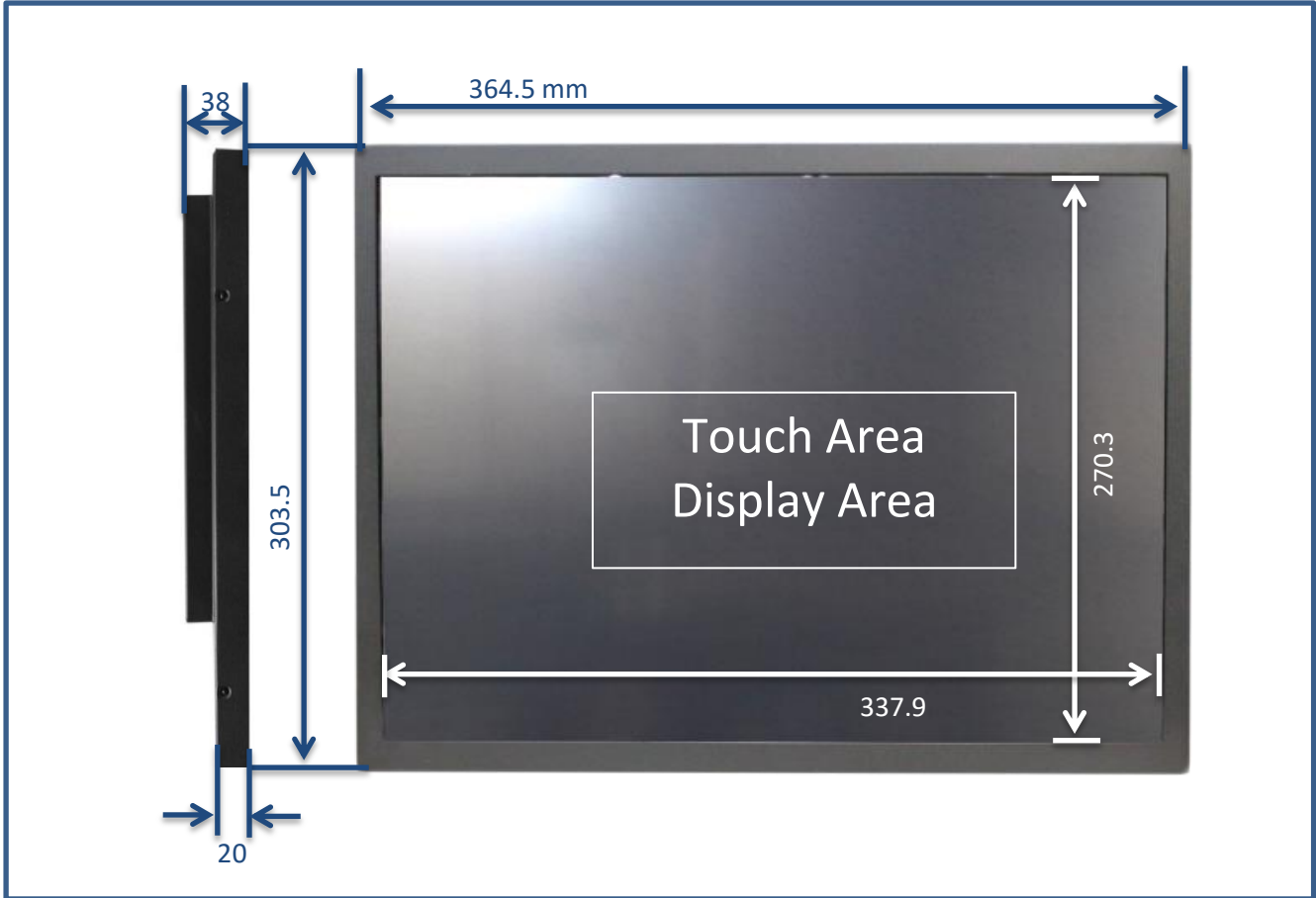
| | | | |
|-----------------|--------------------|------------------|-------------------------|
| Dimension (Max) | 364.5x303.5x38 mm | Cabinet Material | Galvanized steel (SECC) |
| Net Weight | ≤3.5 KG | Speaker | 2W x2 |
| Wall Mount Hole | 75x75 / 100x100 mm | | |

Accessories

| Item | Description | Quantity |
|---------------|---|----------|
| VGA Cable | D-Sub 15Pin Male to Male , 1.2 Meter | 1 |
| Audio cable | 3.5mm Headset Jack , Male to Male , 1.2 Meter | 1 |
| AC-DC Adapter | 4.16A/12V with CE/FCC/CCC/UL/RoHS/PSE/JET Certification | 1 |
| Power cord | *(depends on Country) | 1 |
| USB Cable | A type , Male to Male , 1.5 Meter *(only for touch monitor) | 1 |

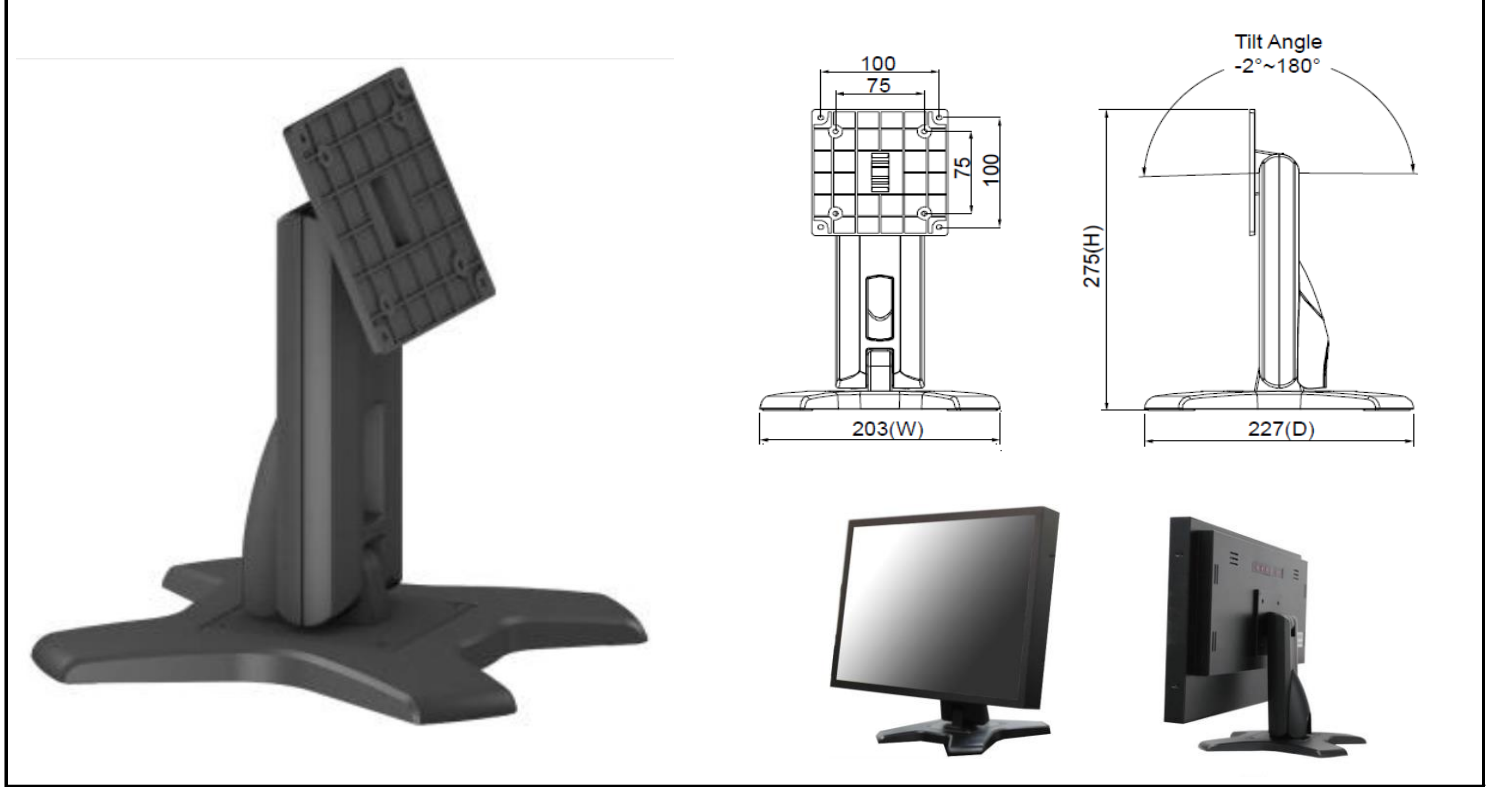


Outward and Dimensions

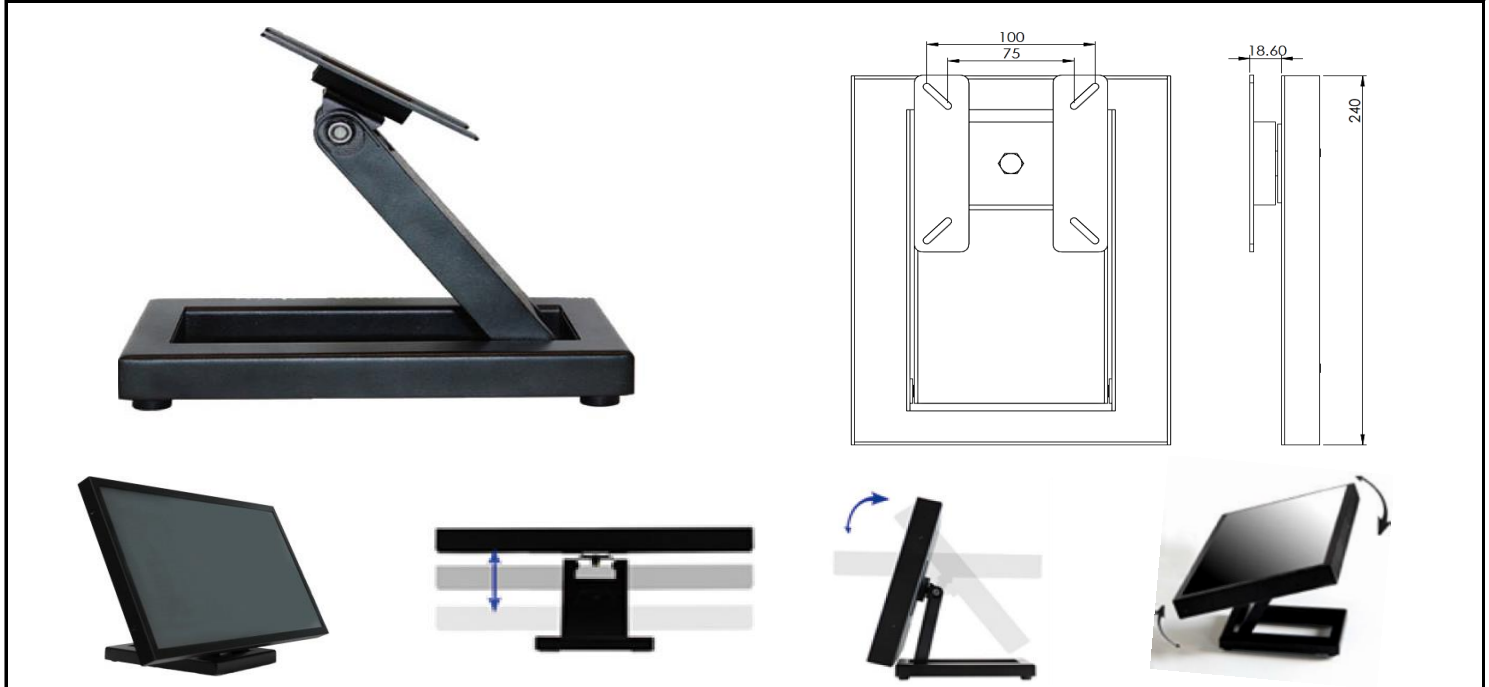


Optional Accessories (Desktop Stand)

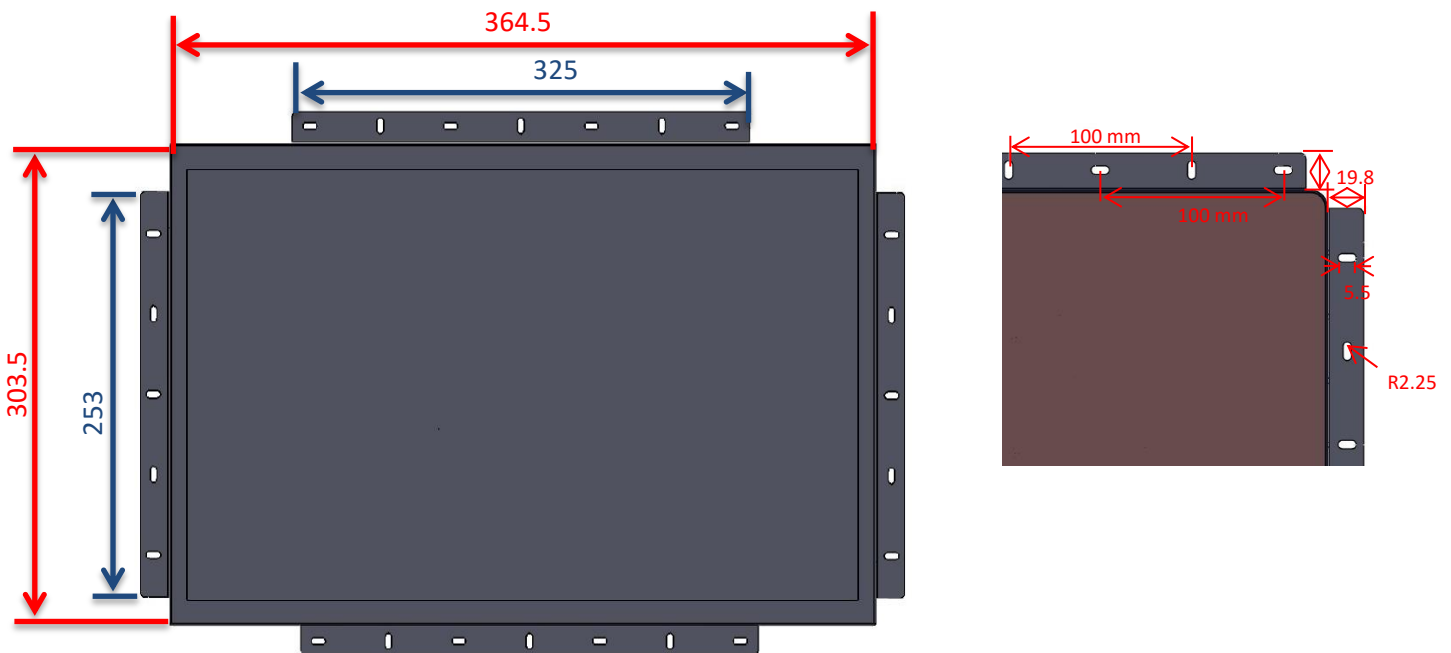
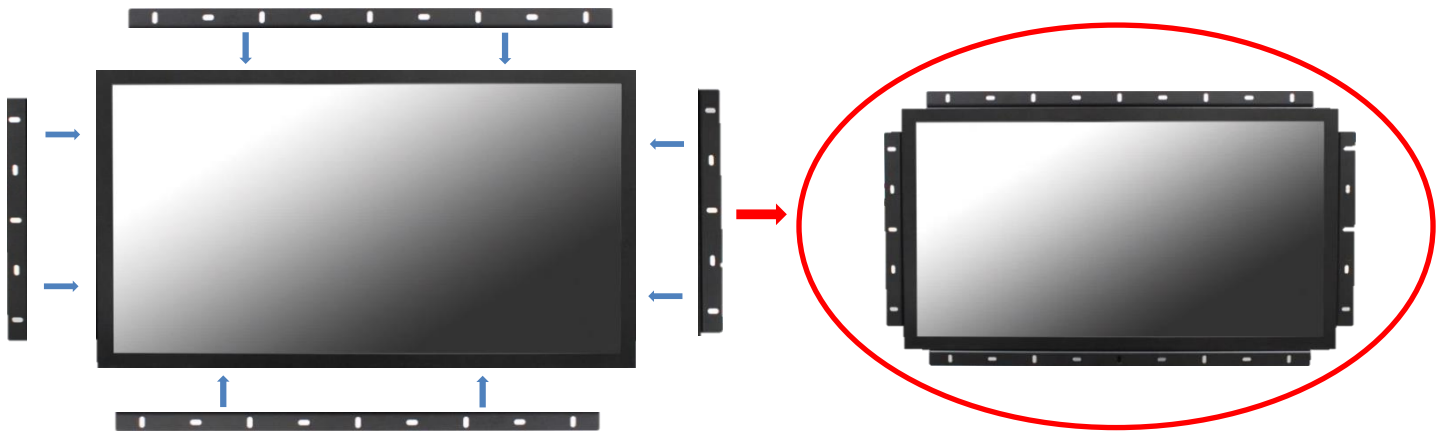
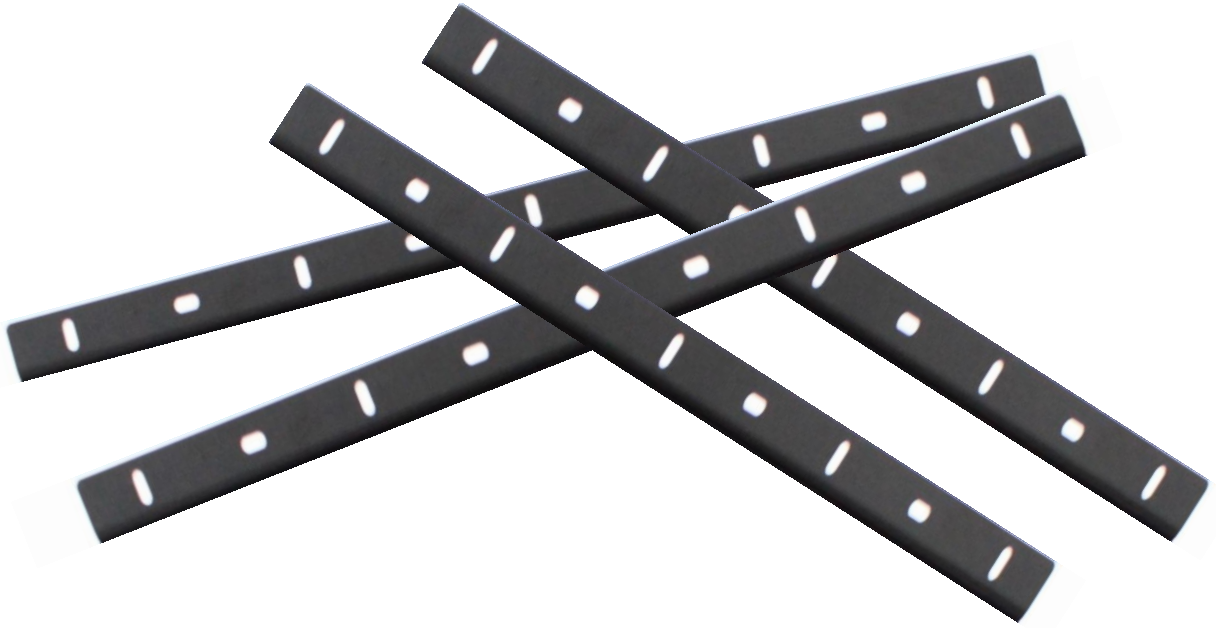
| | | | |
|------------------|------------------------|---------------------|------------------|
| Item | B Stand | Part No. | P1SS0 / P1SS0-02 |
| Mounting Pattern | 100x100 / 75x75 mm | Dimension (WxHxD) | 203x275x227 mm |
| Material | Steel/Plastic/Aluminum | Net Weight | 1.8 KG |
| Tile(Hinge) | -2° ~ +180° | Support Max. Weight | 15 KG |



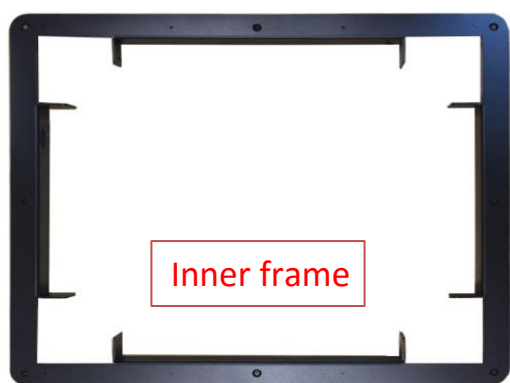
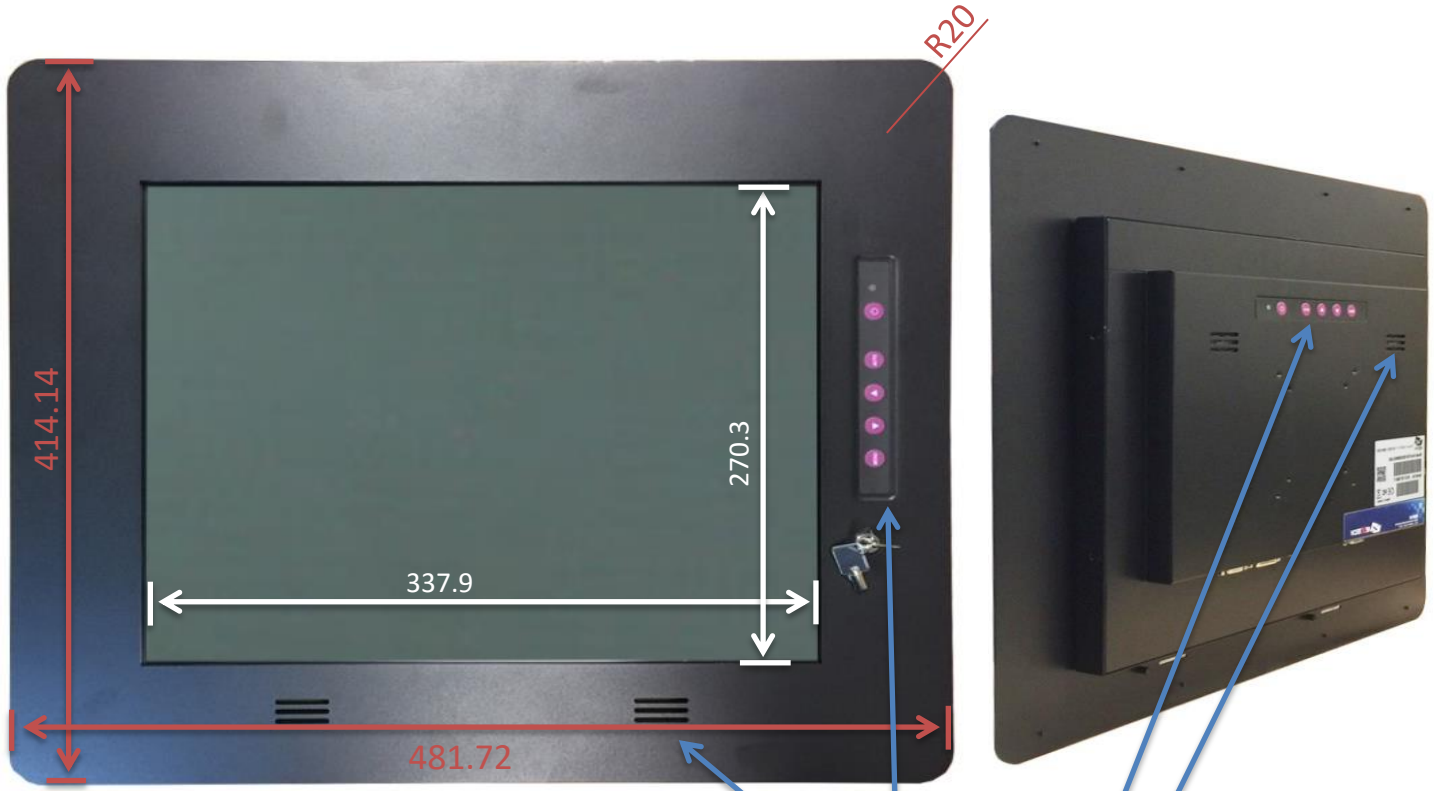
| | | | |
|------------------|--------------------|---------------------|--------------|
| Item | Z Stand | Part No. | P1SZ2 |
| Mounting Pattern | 100x100 / 75x75 mm | Dimension (WxHxD) | 190x240x41.6 |
| Material | SECC | Net Weight | 2.6 KG |
| Tile(Hinge) | ±360° | Support Max. Weight | 15 KG |



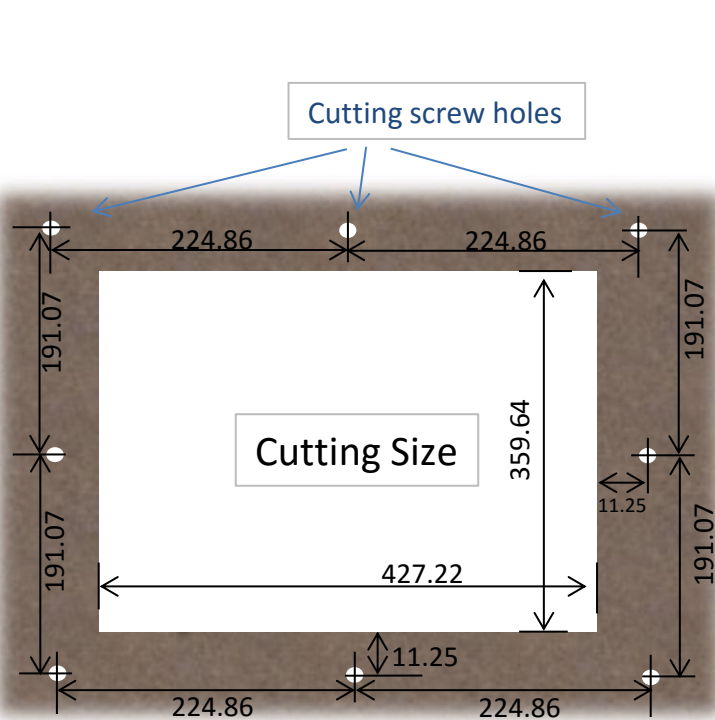
Optional Accessories (Open-frame Brackets)

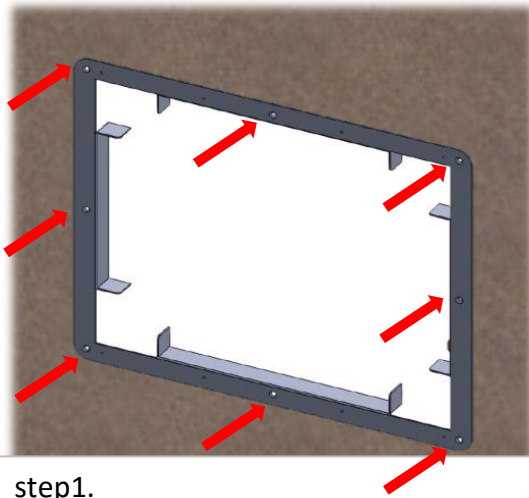


Optional Accessories (Panel Mount Kits)

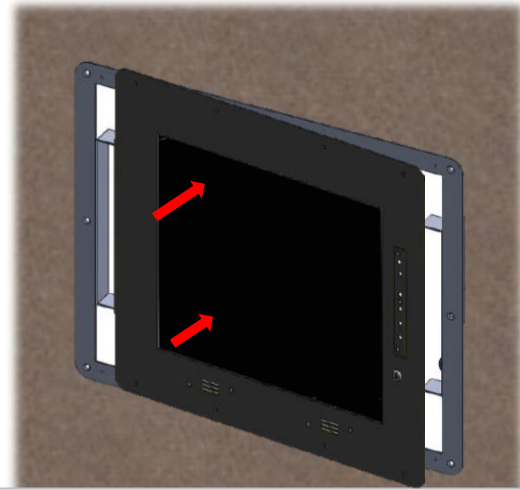


Tips.
OSD button and speaker can be on front or hidden on back.

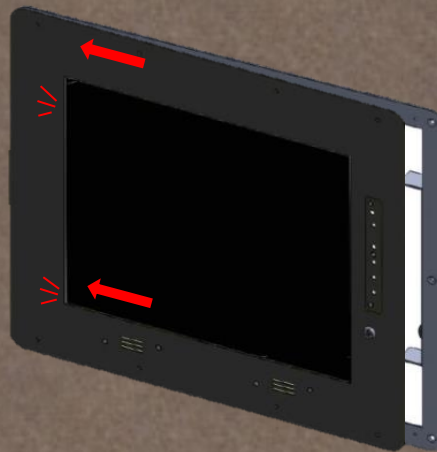


Optional Accessories (Panel Mount Kits)**Installing Guide**

step1.
Mount the inner frame to wall/door/KIOSK , and screw it.
(Use M4 taper screws)



step2.
Mount the display from front and slightly keep right (insert aslant)



step3.
Push the display to the left, stuck up.



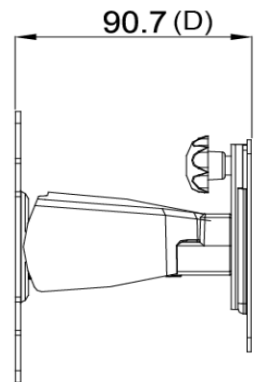
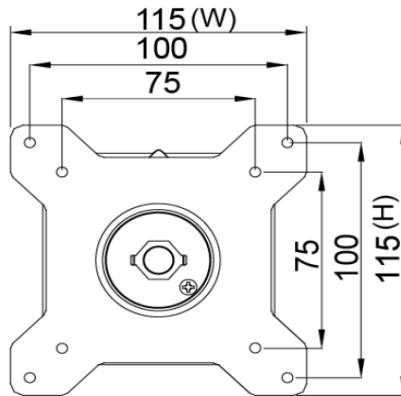
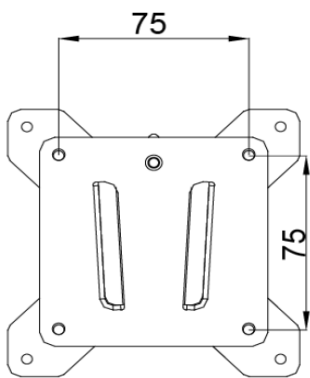
step4.
Push the display to insert completely



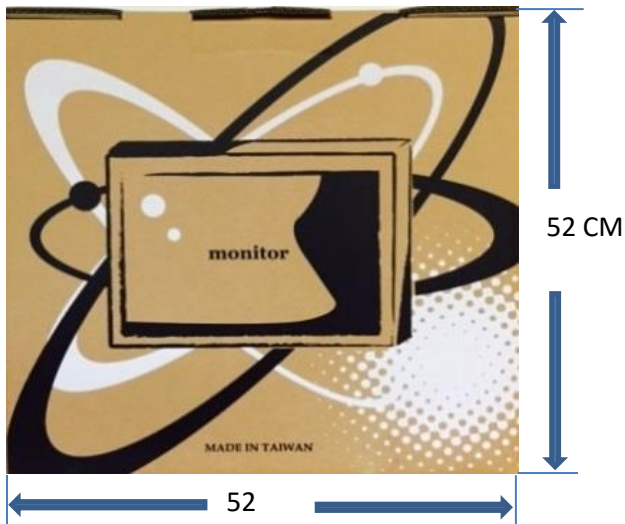
step5.
Lock it !



Optional Accessories (Wall Mount Bracket)



Packing Information



| | |
|-----------------|-------|
| Net Weight | 3.5KG |
| Gross Weight | 5.2KG |
| Q'ty per Pallet | |
| Pallet Size | |
| Total Size | |

Optional Accessories (Desktop Stand or Arm)



- 273x180x265 mm
 - 1.07 KG
 - Support 12 KG



- 620x556x123 mm
 - 3 KG
 - Support 10 KG



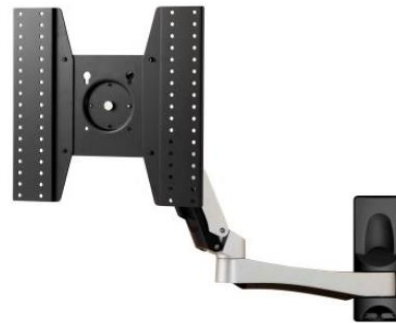
- 250x192x445 mm
 - 1.4 KG
 - Support 12 KG



- 655x858.5x563 mm
 - 7.56 KG
 - Support 30 KG



- 158x403x144 mm
 - 2.12 KG
 - Support 12 KG



- 646x861x953.5 mm
 - 8.57 KG
 - Support 30 KG



- 423x403x240 mm
 - 1.91 KG
 - Support 12 KG



- 1300x403x307 mm
 - 5.3 KG
 - Support 8 KG



- 715x393x144 mm
 - 3.68 KG
 - Support 12 KG

